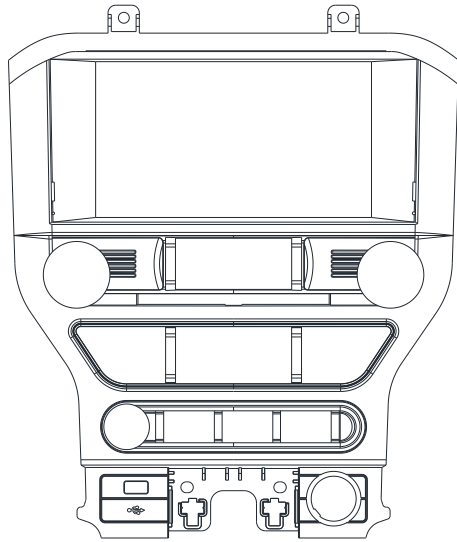


# Car multimedia video and audio system

(Ford mustang special design for special use)



## USER MANUAL

### Thanks for your patronage

Thank you very much for your purchase and use of our company's car video and audio series products.

In order to invite you to use this product correctly, please read the instruction carefully before using this product and keep it properly for later reference.

### Interface operation

Function of the main interface: radio, CD player, GPS, video, SYNC



1. System information, view the hardware and software vision information and touch calibration function of the GPS system
2. Under any interface, click here to return to the main menu
3. Enter the setting interface of GPS system

### GPS operation

On the main interface, click the GPS to enter the GPS interface, please see the GPS operating instructions.



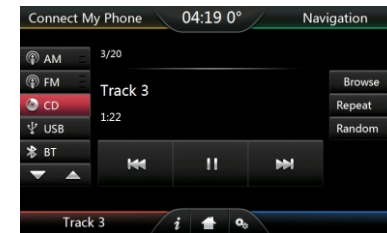
### SYNC voice control function

Click SYNC on the main interface to enter the voice control interface, and in here, you can use your voice to control the following functions, radio, CD, music, video according to resources (such as USB, BT, LINE IN).

Radio function



CD player function (need to insert the CD disc)



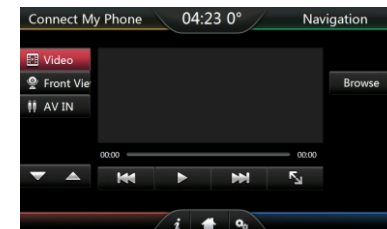
Music player function. In case of accessing USB device with songs, it can read songs in USB device to play.



Bluetooth function (high configuration hasn't this function), enter the Bluetooth interface, you can choose dialing, phone book and music setting, etc.



Video player function, in case of accessing USB device, you can click the video button to enter USB video player interface and choose the video file to be played in the right browsing list and it can play (support formats such as MP4/AVI/RMVB/RM/MOV/WMV/DIVX, etc.).



## Tire pressure monitoring

For systems installed tire pressure monitoring device, the product can carry on the tire pressure monitoring device and do monitoring display and setting for it. When the tire pressure of the vehicle is abnormal, the system will automatically pop up monitoring interface with voice reminder.



## Visible in front and external input

After installing front visual camera and opening front vision automatic control function in the setting, users can exit the interface by clicking anywhere on the screen or it will exit automatically after two minutes.

## System information

Used to display the name of the current module, the hardware and software version information

Touch calibration: click the button to enter the touch calibration function.  
Resetting: click the button, and the system will automatically restart.



## Vehicle maintenance

The management interface of vehicle maintenance is shown below. You can open the maintenance reminder switch or reset the maintenance mileage.



## Setting

Setting interface includes clock setting, display setting, sound setting, video setting, vehicle setting, system setting, etc.

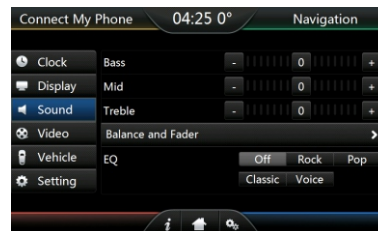
### Clock settings



### Display setting



### Sound setting



### Video setting



## Vehicle setting

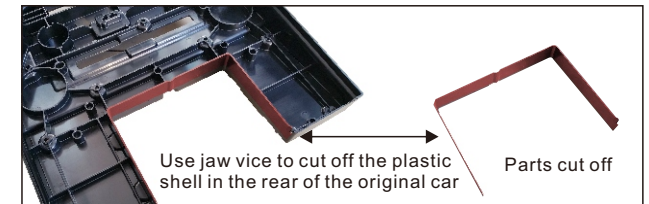


## System setting



## Installation steps

1. Remove the plastic shell screws from the rear of the original car, take off the shell
2. Remove the PCB fixed screws of the original car; remove the PCB components of the original car
3. Remove silicone keys and button components, and remove the flannelette and transparent mirror at the disc mouth of the original car.
4. Process the plastic shell in the rear of the original car: use jaws vice to cut off the plastic shell in the rear of the original car, as shown below



5. Install the transparent mirror at the disc mouth/ flannelette at the disc mouth to the new plastic shell.
6. Install button components of the original car to the new plastic shell
7. Finish the installation the silicone button to the original car and install the PCB components of the original car.
8. Install the processed plastic back cover of the original car
9. Open the lid of the original car cigarette lighter, use tweezers to open up the two black glue points in the cigarette lighter, remove the hardware inner shell of the cigarette lighter.
10. Remove the plastic shell of the cigarette lighter
11. Install the plastic shell of the cigarette lighter to the new plastic and then install inner shell of the cigarette lighter.
12. Well Connect and insert wire rods of the apparatus.