

## Exterior Mirror

### Removal

**NOTE:** Removal steps in this procedure may contain installation details.

**NOTE:** The power folding mirrors may need to be synchronized anytime the mirrors are folded or unfolded without using the exterior mirror control switch, or if a new power folding mirror is installed.

### Exterior mirror assembly

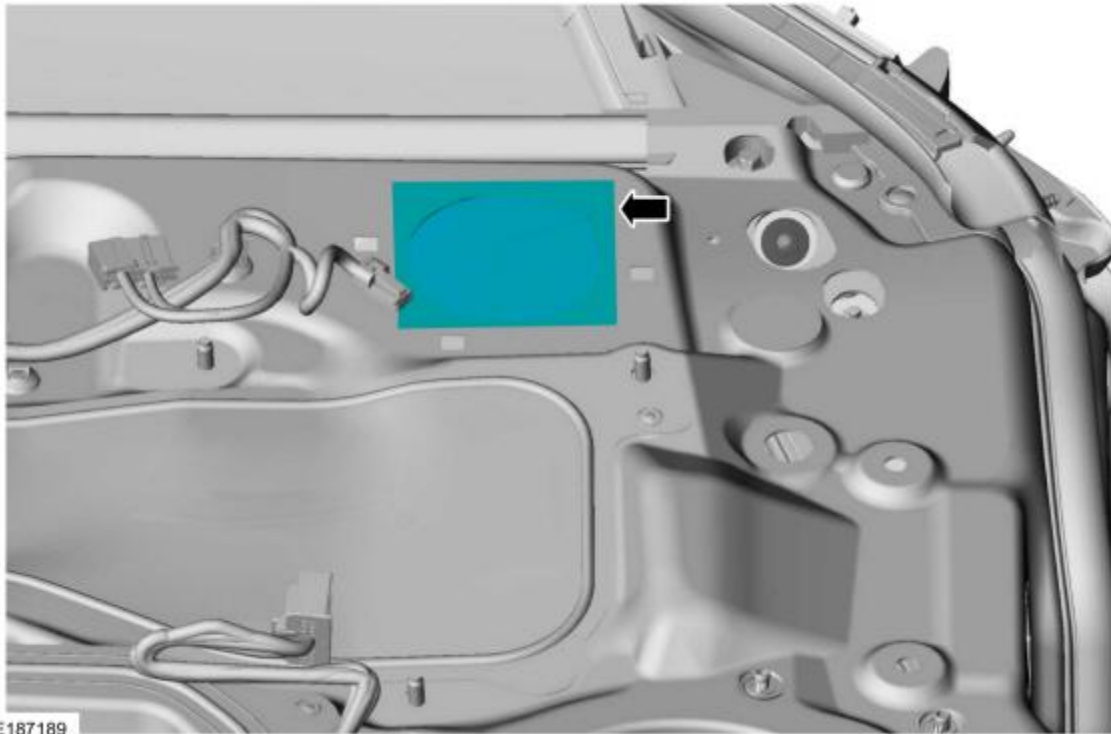
#### Exterior mirror assembly

1. Operate window to full up position.
2. Remove the front door trim panel.  
Refer to: [Front Door Trim Panel](#) (501-05 Interior Trim and Ornamentation, Removal and Installation).
3. Remove the front door speaker.  
Refer to: [Front Door Speaker LH](#) (415-00B Information and Entertainment System - General Information - Vehicles With: Touchscreen Display, Removal and Installation).  
Refer to: [Front Door Speaker RH](#) (415-00B Information and Entertainment System - General Information - Vehicles With: Touchscreen Display, Removal and Installation).
4. For vehicles equipped with door mounted tweeters, remove the tweeter.  
Refer to: [Front Door Speaker LH](#) (415-00B Information and Entertainment System - General Information - Vehicles With: Touchscreen Display, Removal and Installation).  
Refer to: [Front Door Speaker RH](#) (415-00B Information and Entertainment System - General Information - Vehicles With: Touchscreen Display, Removal and Installation).
5. Remove the rectangular tape cover.



E186310

6. For vehicles not equipped with door mounted tweeters, remove the tape cover.

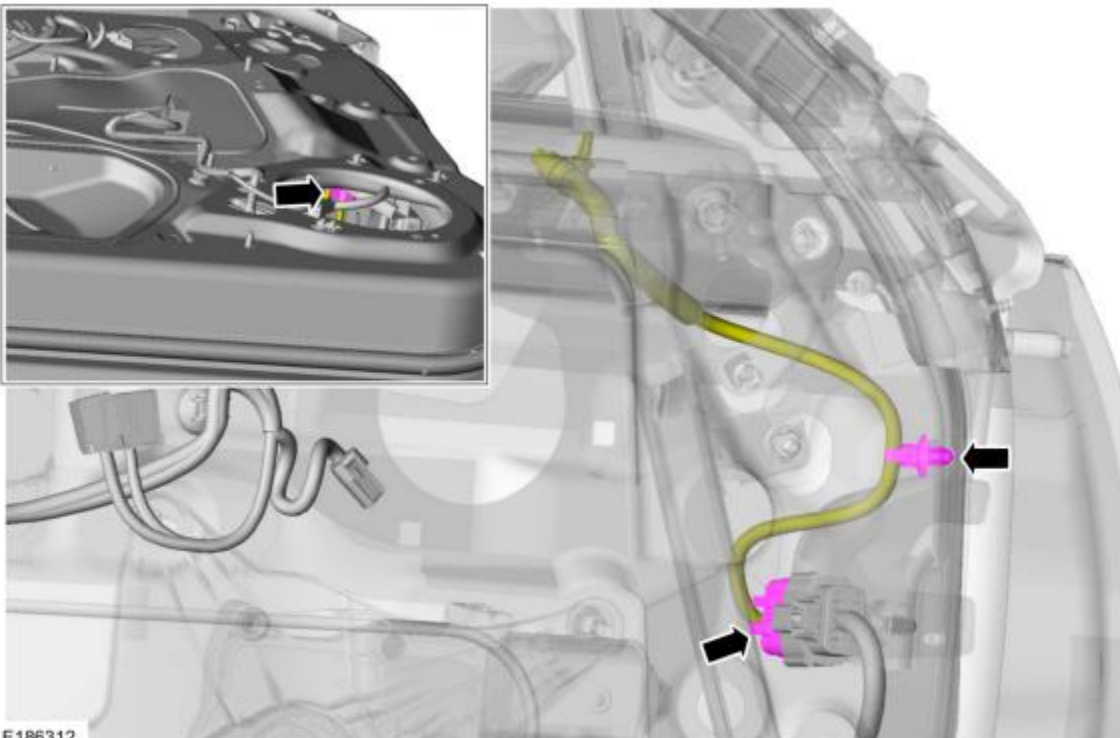


E187189



7. **NOTE:** *The mirror wiring is accessed through the lower speaker port.*

Disconnect the mirror electrical and separate the wiring harness guide.



E186312

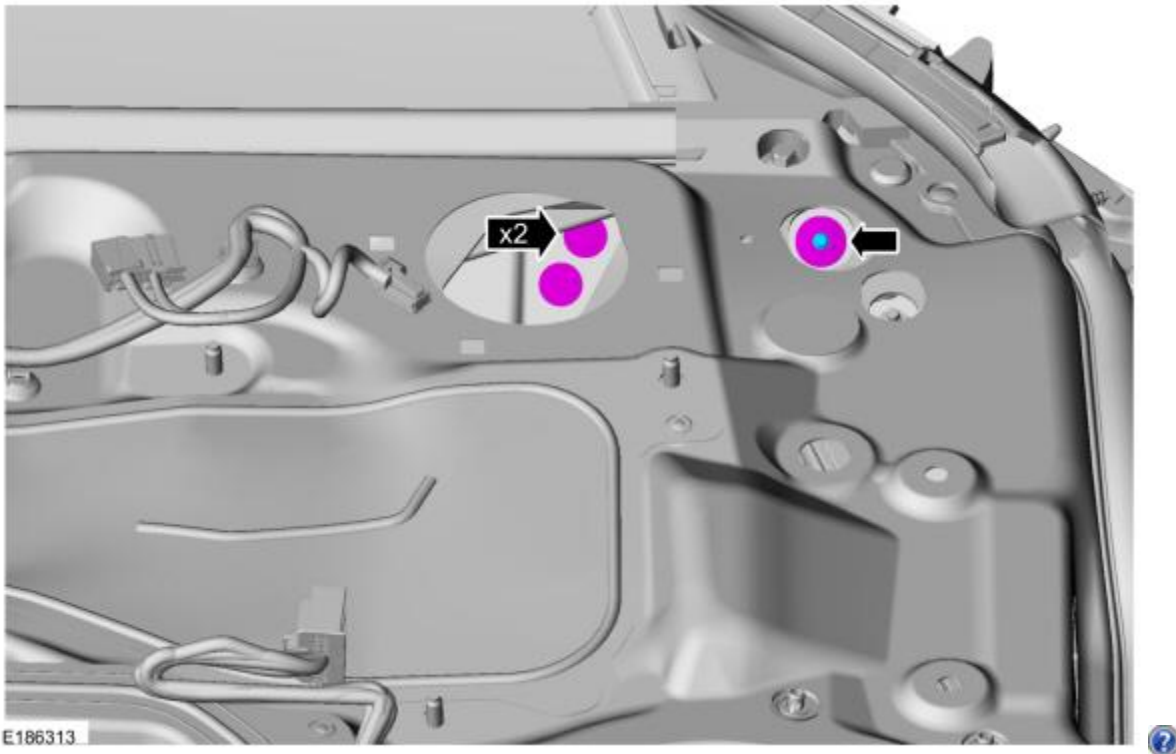


8. **NOTE:** *Reconnect the window switch.*

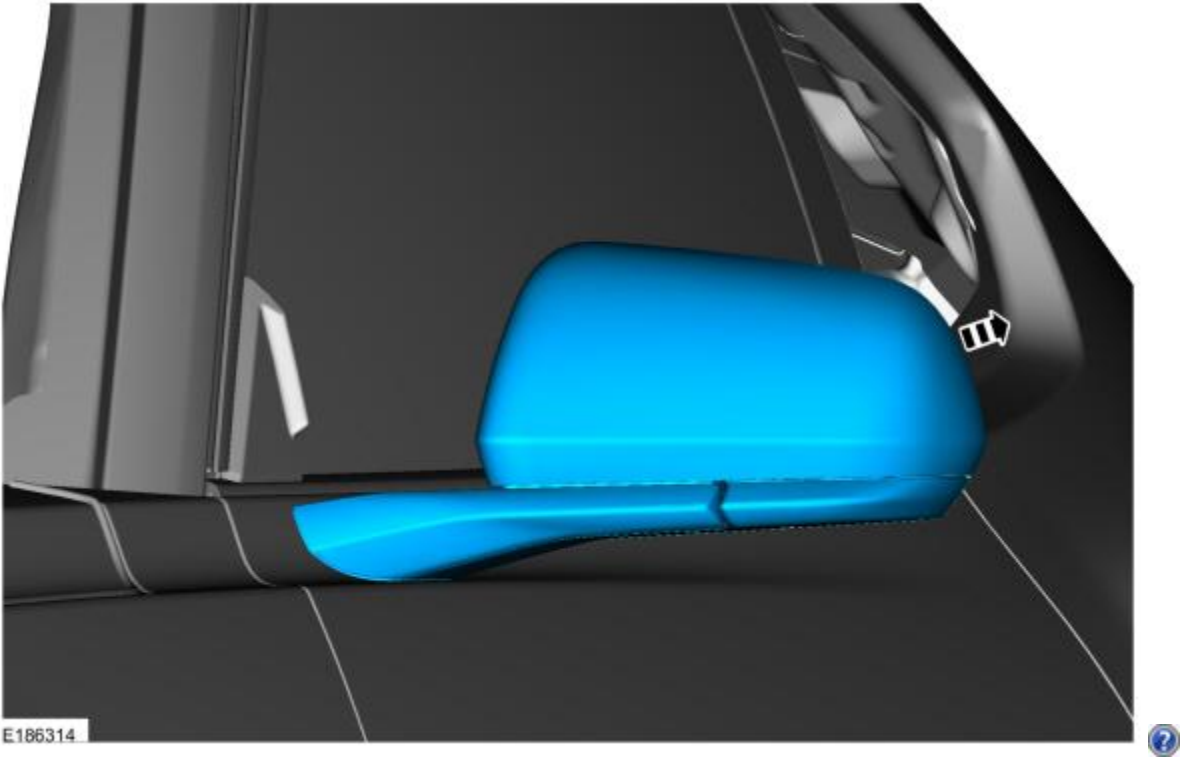
Operate door glass to the full down position.

9. **NOTICE:** **Support the exterior mirror during fastener removal to prevent damage to the mirror or door surface.**

Remove the exterior mirror mounting nut and bolts.



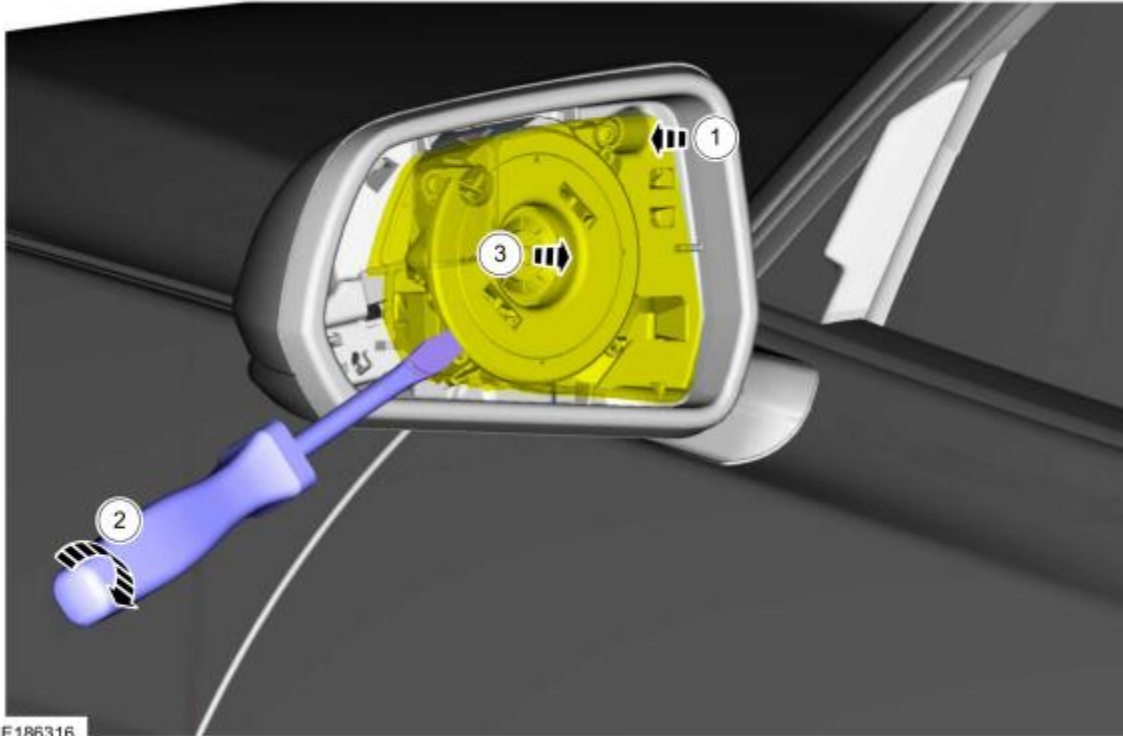
10. Remove the exterior mirror.



### **Mirror glass**

### **Mirror glass**

11. Position aside the mirror glass.
  1. Position the mirror glass fully in and up.
  2. Using a flat blade screwdriver, insert the blade between the mirror glass and motor. Twist and release the mirror glass.
  3. Position aside the mirror glass.

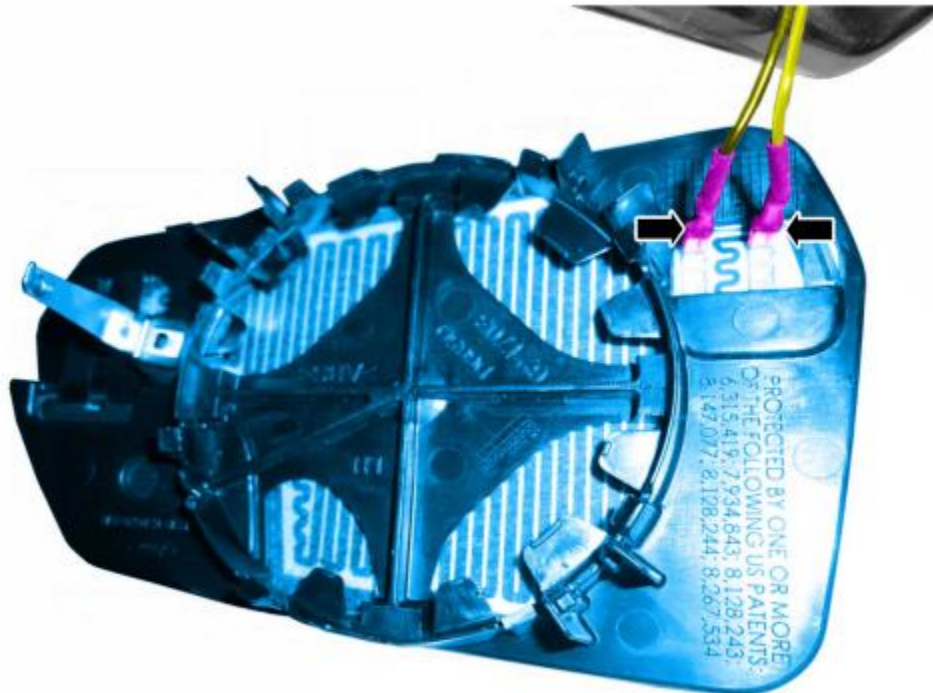


E186316



12. **NOTE:** *The number and location of the electrical connectors will vary due to option content.*

Disconnect the mirror glass electrical connectors.



E186362



## Mirror Motor

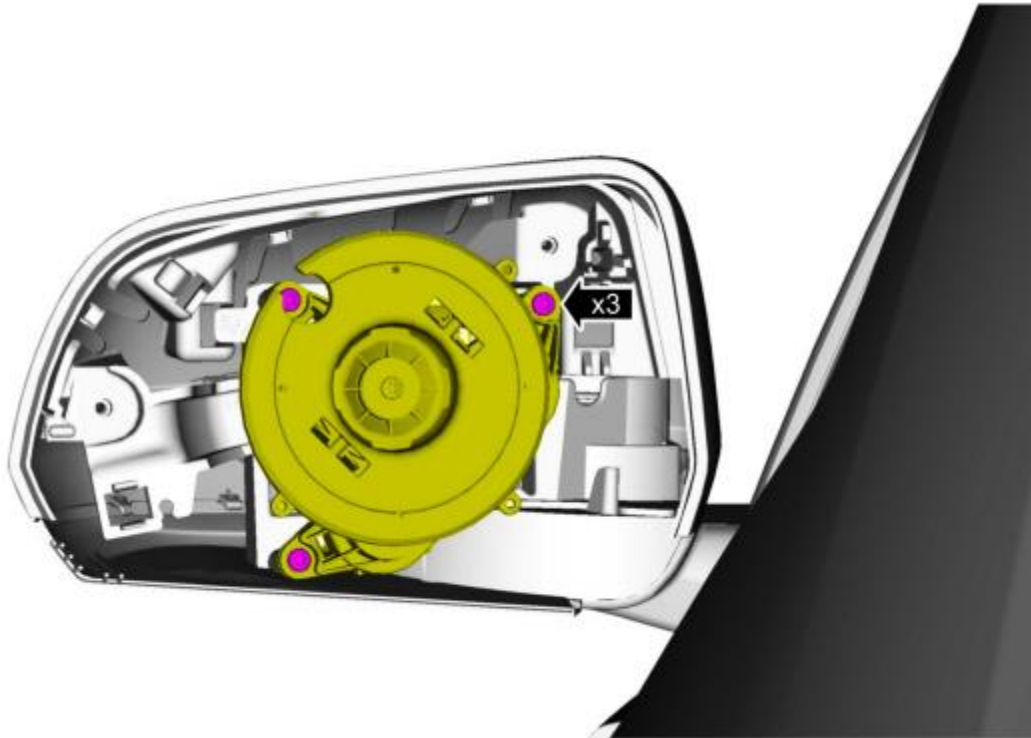
### Mirror Motor

13. Remove the mirror glass.
14. Remove the mirror bezel.
  1. Remove the screws.
  2. Release the tabs.



E186448

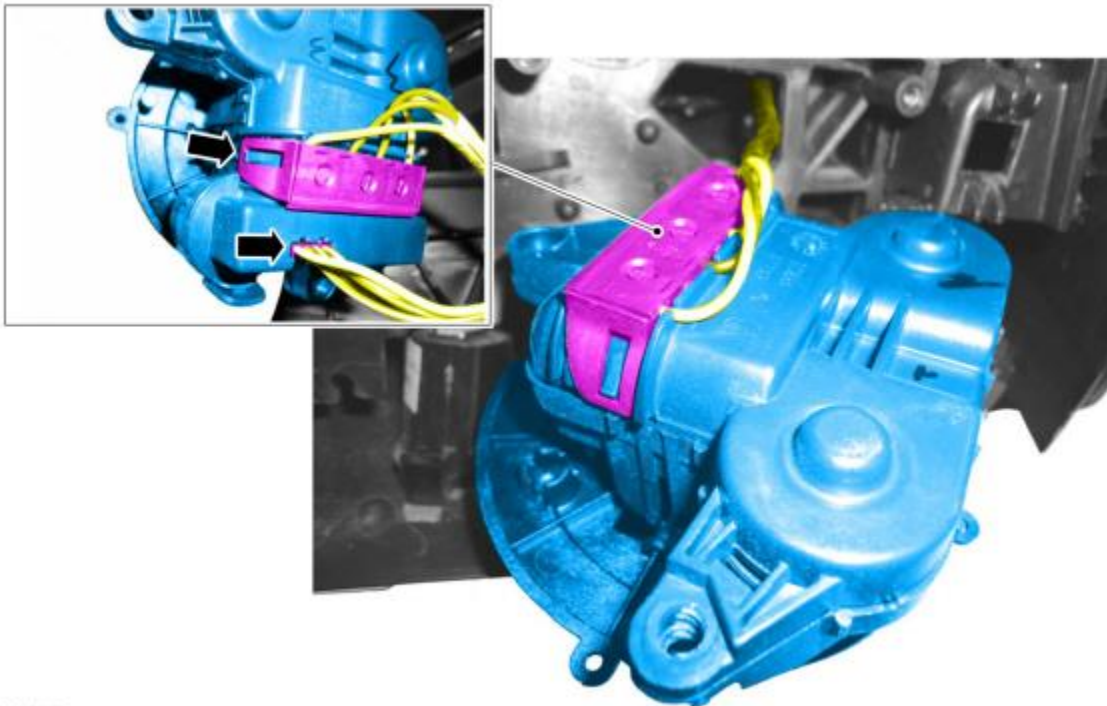
15. Remove the screws and position the motor aside.



E186363



16. Disconnect the electrical connectors and remove the mirror motor.



E186449

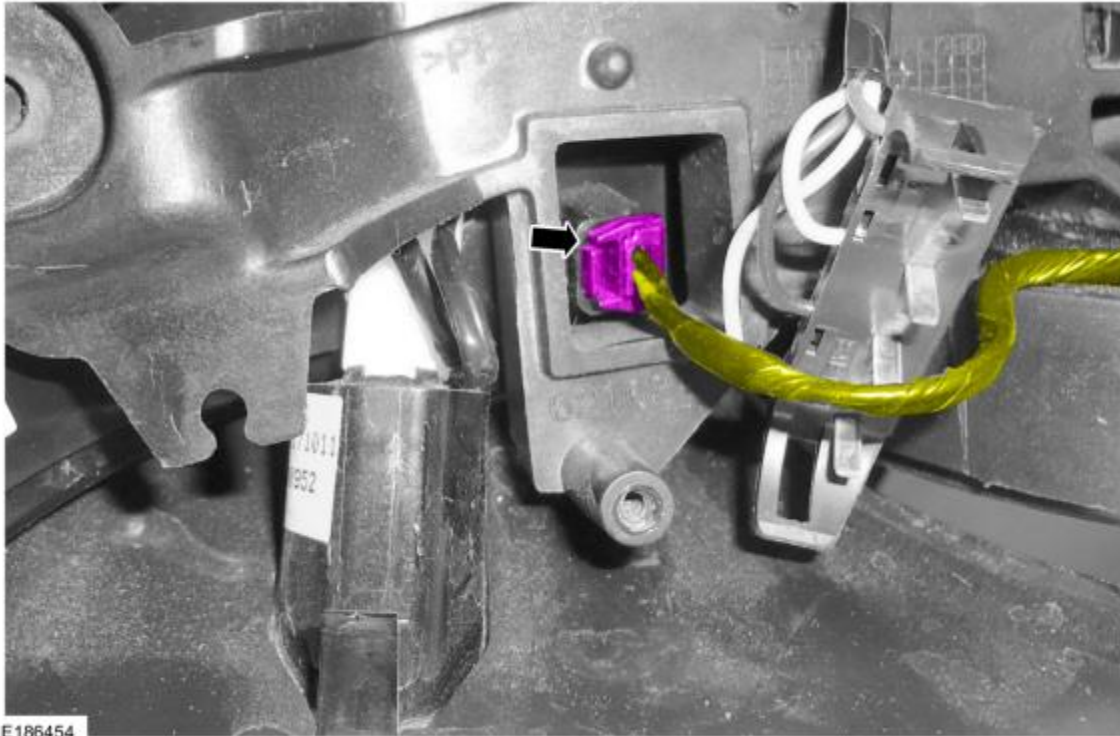


**Mirror cover**

## Mirror cover

17. Remove the mirror motor.

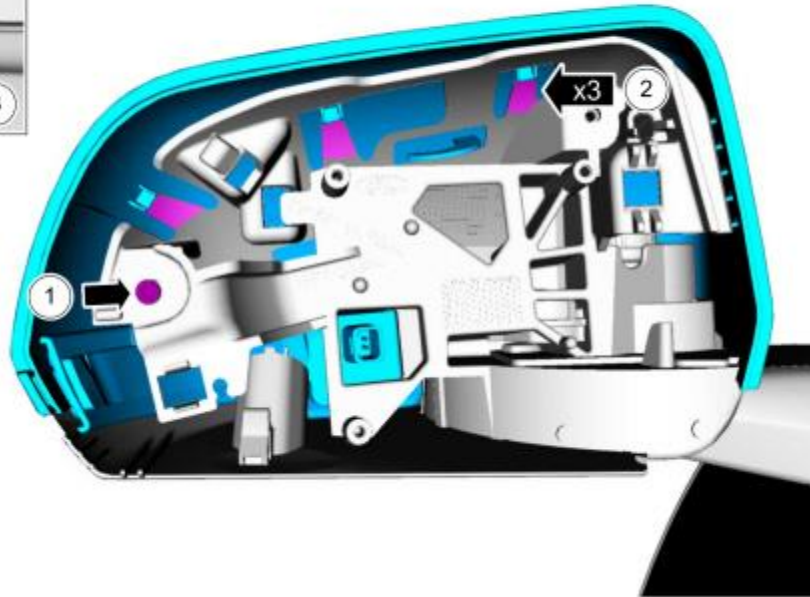
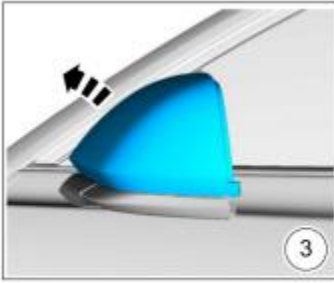
18. If equipped, disconnect the mirror mounted side turn signal.



19.

Remove the mirror cover.

1. Remove the screw.
2. Release the tabs.
3. Remove the mirror cover.

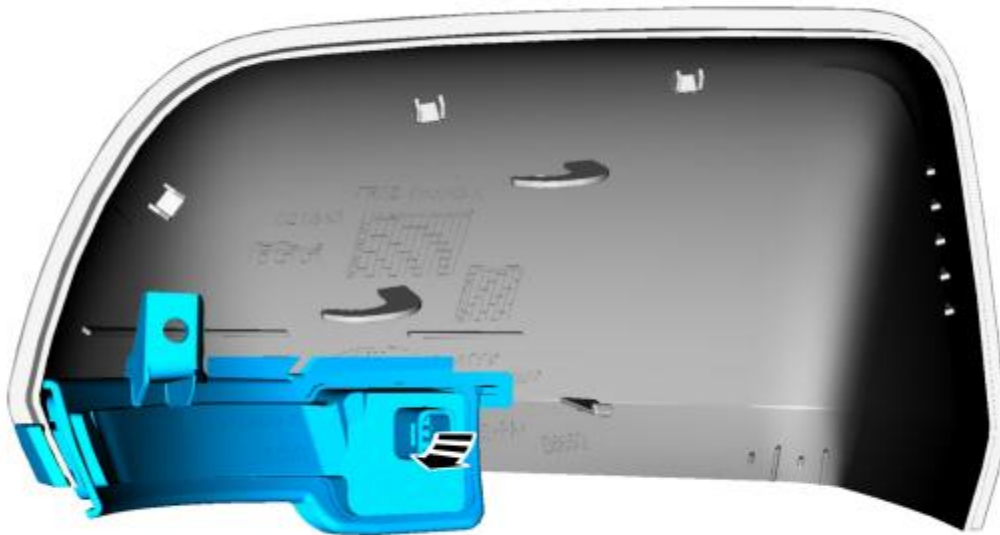


E186455

### Mirror mounted turn signal

### Mirror mounted turn signal

20. Remove the mirror cover.
21. Remove the mirror mounted turn signal.



E186456

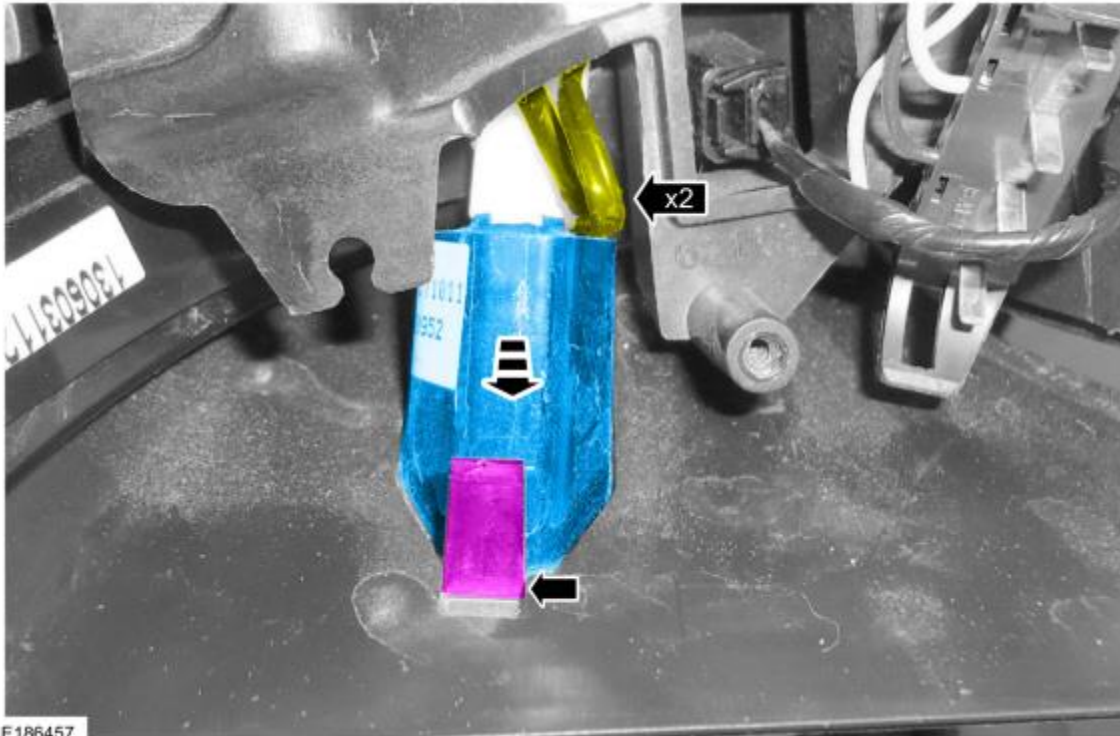


### **Puddle lamp**

### **Puddle lamp**

22. Remove the mirror glass.

23. Press the tab, lower the puddle lamp and disconnect the electrical connectors.



E186457



## Installation

1. To install, reverse the removal procedure.
2. If equipped, synchronize the power folding mirrors.