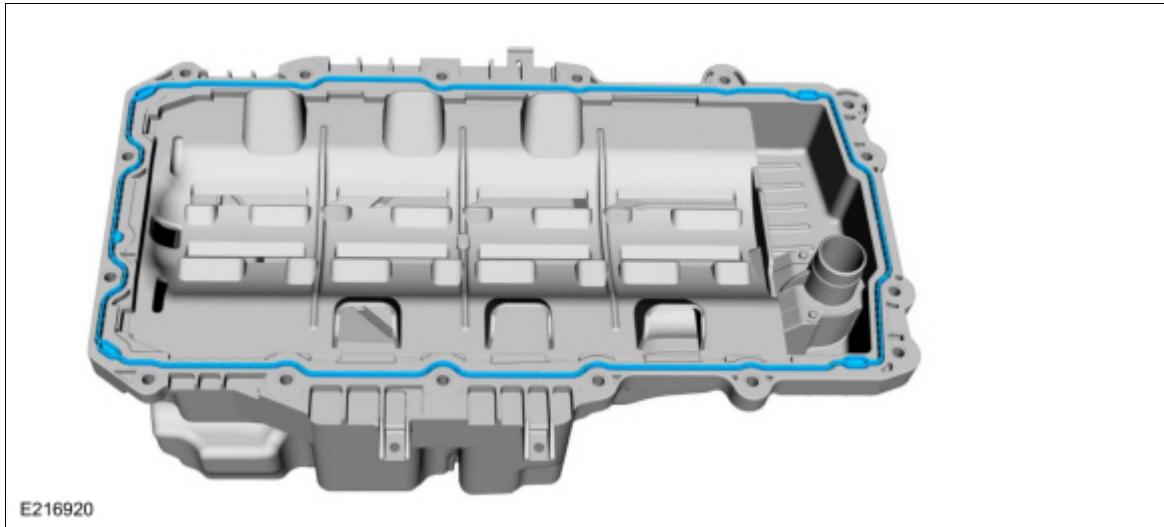


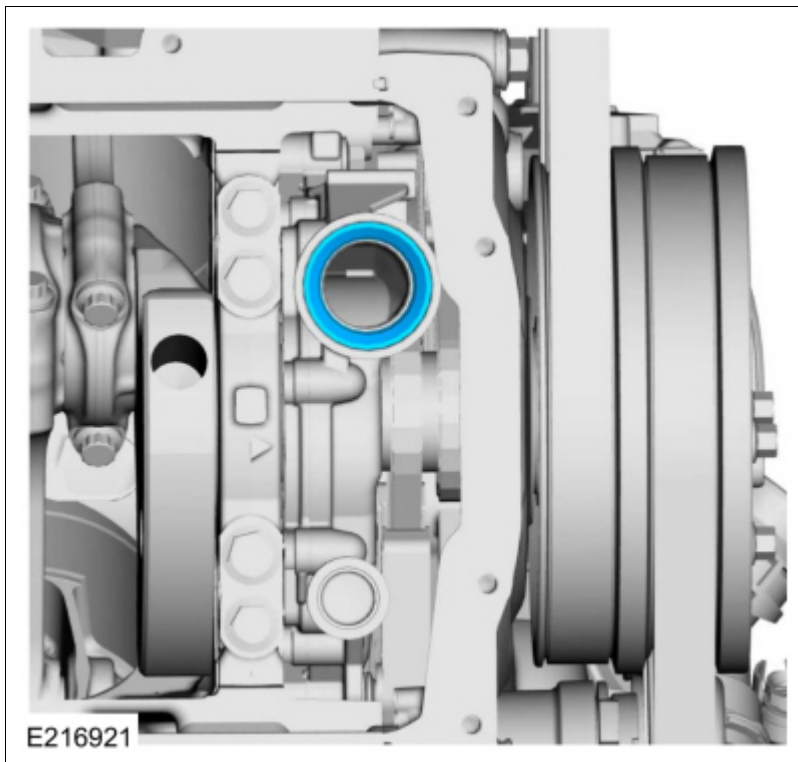


Installation

1. Install a new oil pan gasket.



2. Install a new oil pump pickup seal.



3. Lubricate the inner bore of the oil pump pickup seal with clean engine oil.
Material : Motorcraft® SAE 5W-50 Full Synthetic Motor Oil / XO-5W50-QGT (WSS-M2C931-C)