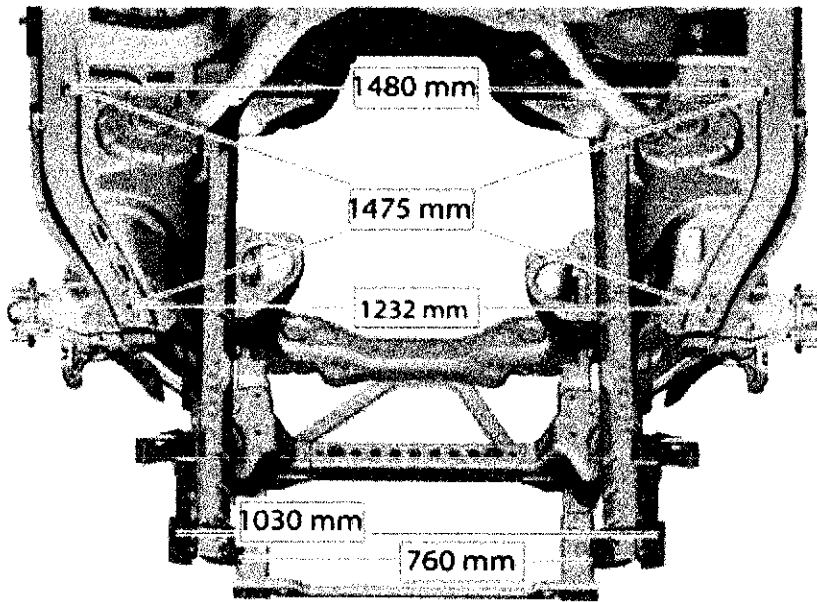


E258329

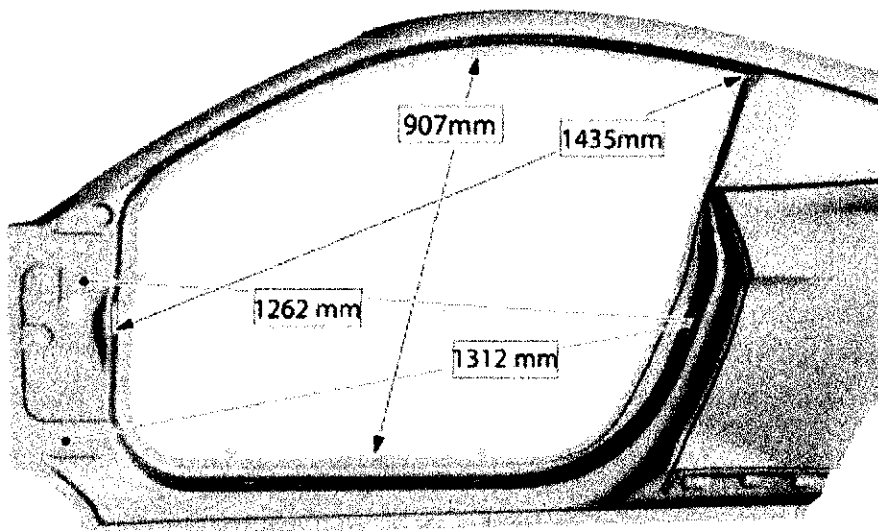
Item	Description	Margin Specification	Flushness Specification
1	Hood-to-bumper cover	4.0 mm \pm 2.3 mm	-0.75 mm \pm 2.3 mm
2	Hood scoop-to-hood	2.0 mm \pm 1.0 mm	-0.5 mm \pm 0.75 mm
3	Headlamp-to-hood	—	—
4	Headlamp-to-bumper cover	2.0 mm \pm 1.5 mm	—
5	Headlamp-to-fender	2.0 mm \pm 1.5 mm	—
6	Bumper cover-to-fender	0.0 mm \pm 0.5 mm	0.75 mm \pm 1.5 mm
7	Hood-to-fender	3.5 mm \pm 1.7 mm	\pm 1.5 mm
8	Hood-to-cowl filler	3.5 mm \pm 1.7 mm	0.0 mm \pm 1.7 mm
9	Bumper cover-to-front bumper cover lower center grille	0.7 mm \pm 0.7 mm	—
10	Bumper cover-to-lower bumper cover	1.0 mm \pm 1.0 mm	—
11	Bumper cover-to-park lamp assembly	1.5 mm \pm 1.0 mm	—
12	Bumper cover-to-radiator grille	0.7 mm \pm 0.7 mm	—



E186861

Front Door Opening Dimensions - Coupe

NOTE: All measurements are on center unless otherwise indicated.



E186862

Front Door Opening Dimensions - Convertible

NOTE: All measurements are on center unless otherwise indicated.