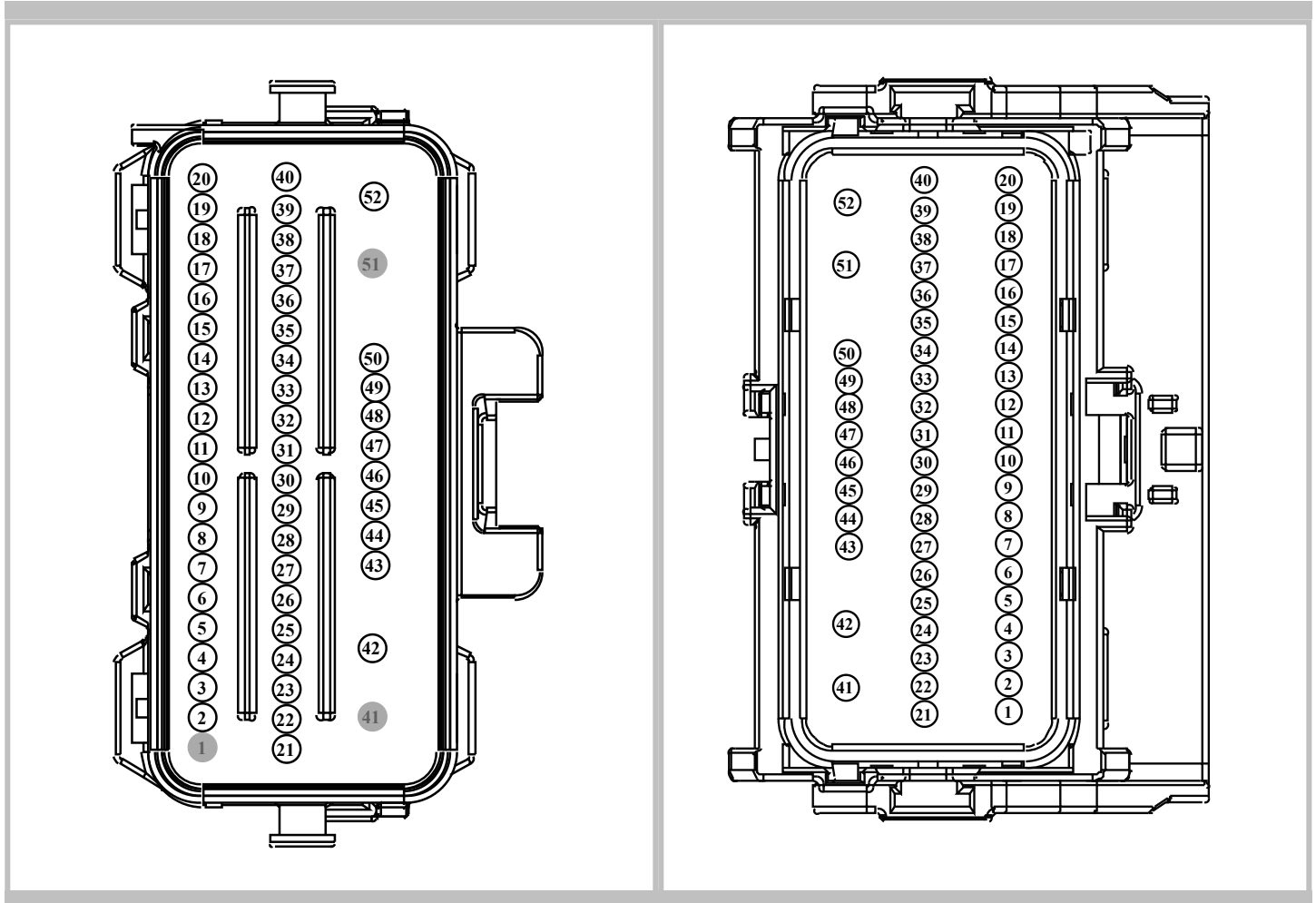


Inline:	Description	Color	Harness	Base Part #	Service Pigtail
C105	INLINE	BK	7C078 14290		Not Available

**MALE**  
**Harness 7C078**

**FEMALE**  
**Harness 14290**



Check for Terminal Part Numbers

Pin	Circuit	Gauge	Qualifier
1	- (-)	*	
2	VETC9 (GY-BU)	18	
3	VETC7 (GY-VT)	18	
4	VETC6 (YE-BU)	18	
5	LET06 (BN-BU)	18	
6	VETC5 (WH-OG)	18	
7	VETC4 (GN-BU)	18	

Pin	Circuit	Gauge	Qualifier
1	DUMMY (BK)	20	
2	VETC9 (GY-BU)	18	
3	VETC7 (GY-VT)	20	
4	VETC6 (YE-BU)	20	
5	LET06 (BN-BU)	18	
6	VETC5 (WH-OG)	20	
7	VETC4 (GN-BU)	20	
8	VETC3 (GY)	20	

8	VETC3 (GY)	18		9	VETC8 (BN- GN)	20	
9	VETC8 (BN- GN)	18		10	VETB3 (VT-GN)	20	
10	VETB3 (VT- GN)	18		11	VETB2 (BN-BU)	20	
11	VETB2 (BN- BU)	18		12	VETC1 (BU)	20	
12	VETC1 (BU)	18		13	VETB4 (GY-YE)	20	
13	VETB4 (GY- YE)	18		14	CET91 (YE- OG)	20	
14	LET07 (VT- BN)	20		15	VETB7 (GY-BN)	20	
15	VETB7 (GY- BN)	18		16	VETB5 (BU- GN)	20	
16	VETB5 (BU- GN)	18		17	VETE1 (WH- OG)	22	
17	VETE1 (WH)	20		18	VETD6 (WH- BU)	22	
18	VETD6 (WH- BU)	20		19	VET26 (BN- GN)	22	
19	VET26 (BN- GN)	20		20	VETF0 (GN-VT)	22	
20	VET73 (GN)	20		21	CET84 (WH- BN)	20	
21	LET08 (VT- GN)	20		22	VETD3 (YE-VT)	22	
22	VETD3 (YE- VT)	20		23	VETD2 (BU)	22	
23	VETD2 (BU)	20		24	VETD4 (BU- WH)	20	
24	VETD4 (BU- WH)	20		25	VET99 (GY-BN)	20	
25	VET99 (GY- BN)	18		26	CETE1 (WH)	20	
26	LET09 (BN- YE)	18		27	VETB8 (BU- GY)	20	
27	VETB8 (BU- GY)	18		28	VETC2 (BN- WH)	22	
28	VETC2 (BN- WH)	18		29	CET54 (BN- GN)	20	
29	CET25 (BU- GN)	20		30	VETD1 (WH- GN)	22	
30	VETD0 (YE- RD)	20		31	RETC2 (GN- OG)	22	
31	RETC2 (GN- WH)	18		32	RET05 (VT-GY)	18	
32	RET05 (VT- GY)	18		33	VETB6 (YE-BU)	20	
33	VETB6 (YE- BU)	18		34	VETA9 (BN-YE)	20	
34	VETA9 (BN- YE)	18		35	VETD0 (YE- OG)	20	
35	VETD1 (WH- GN)	20		36	VETB9 (GN- OG)	22	
				37	LETE1 (GY-VT)	22	
				38	LETD6 (GN- BN)	22	
				39	LET04 (GY- OG)	22	

36	VETB9 (GN- RD)	18		40	LET73 (GN- BU)	22	
37	LETE1 (GY- VT)	20		41	DUMMY (BK)	16	
38	LETD6 (GN- BN)	20		42	CBK02 (GN)	16	
39	LET04 (GY- VT)	20		43	LET05 (WH- GN)	18	
40	LET73 (GN- BU)	20		44	CE233 (WH- OG)	18	
41	- ()	*		45	VE731 (YE- GN)	18	
42	CBK02 (GN)	16		46	RE731 (WH- OG)	18	
43	LET05 (WH- GN)	18		47	RE733 (GN)	18	
44	CE233 (WH- OG)	18		48	VE733 (WH)	18	
45	VE731 (YE- GN)	18		49	CE234 (BU- WH)	18	
46	RE731 (WH- OG)	18		50	VETD5 (YE)	22	
47	VE733 (WH)	18		51	DUMMY (BK)	16	
48	RE733 (GN- BN)	18		52	RET06 (GY- BU)	16	
49	CE234 (BU- WH)	18					
50	VETD5 (YE)	20					
51	- ()	*					
52	RET06 (GY- BU)	16					