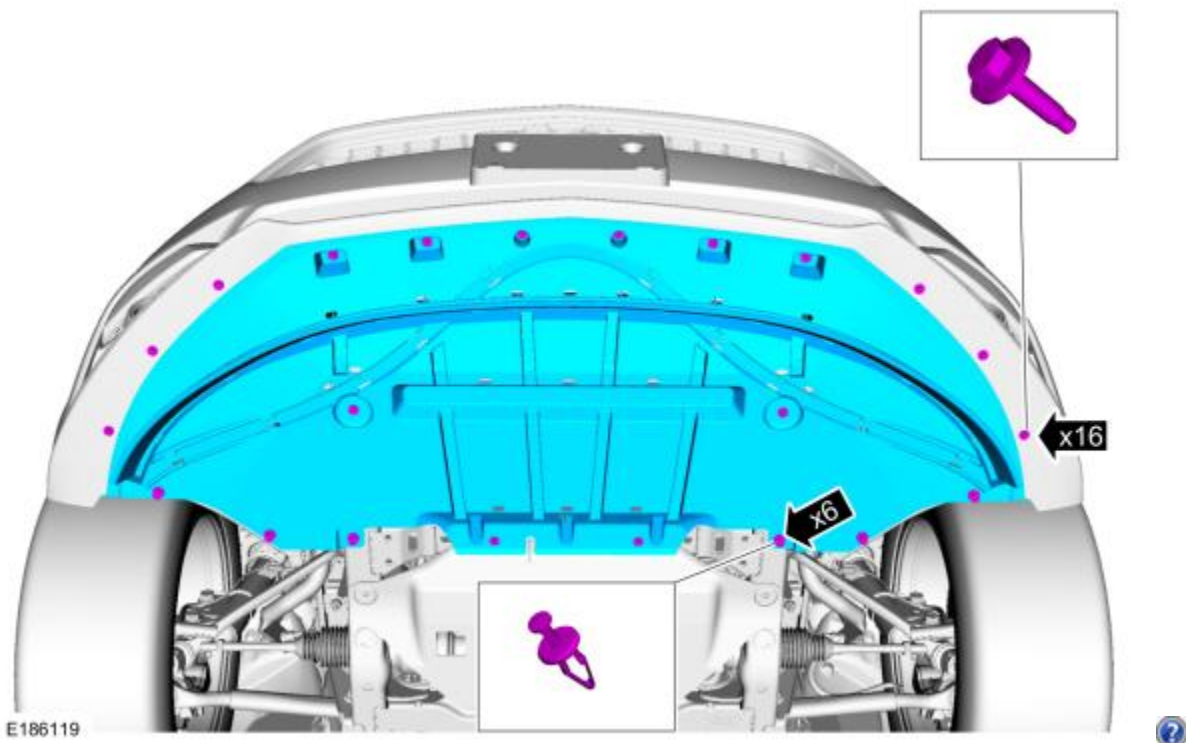


Front Bumper Cover

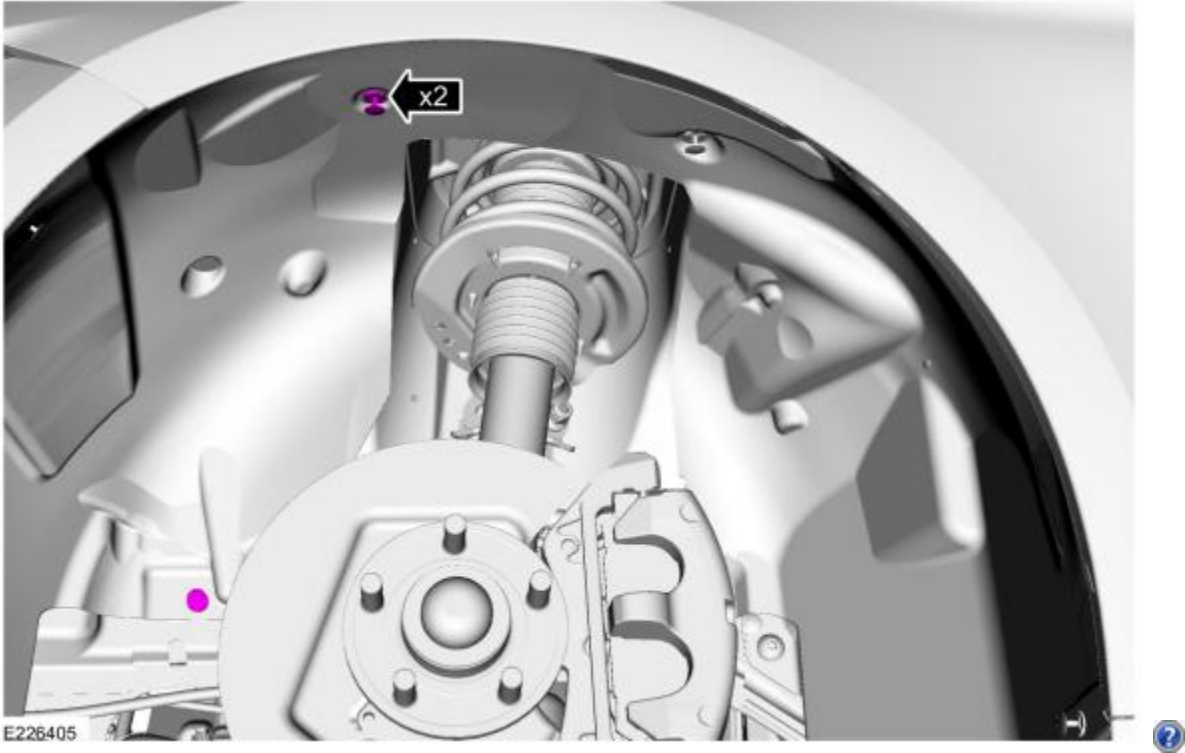
Removal

NOTE: Removal steps in this procedure may contain installation details.

1. Raise the vehicle on a hoist.
Refer to: [Jacking and Lifting - Overview](#) (100-02 Jacking and Lifting, Description and Operation).
2. Remove the front wheels and tires.
Refer to: [Wheel and Tire](#) (204-04A Wheels and Tires, Removal and Installation).
3. Remove the push pins, screws and the lower air deflector.

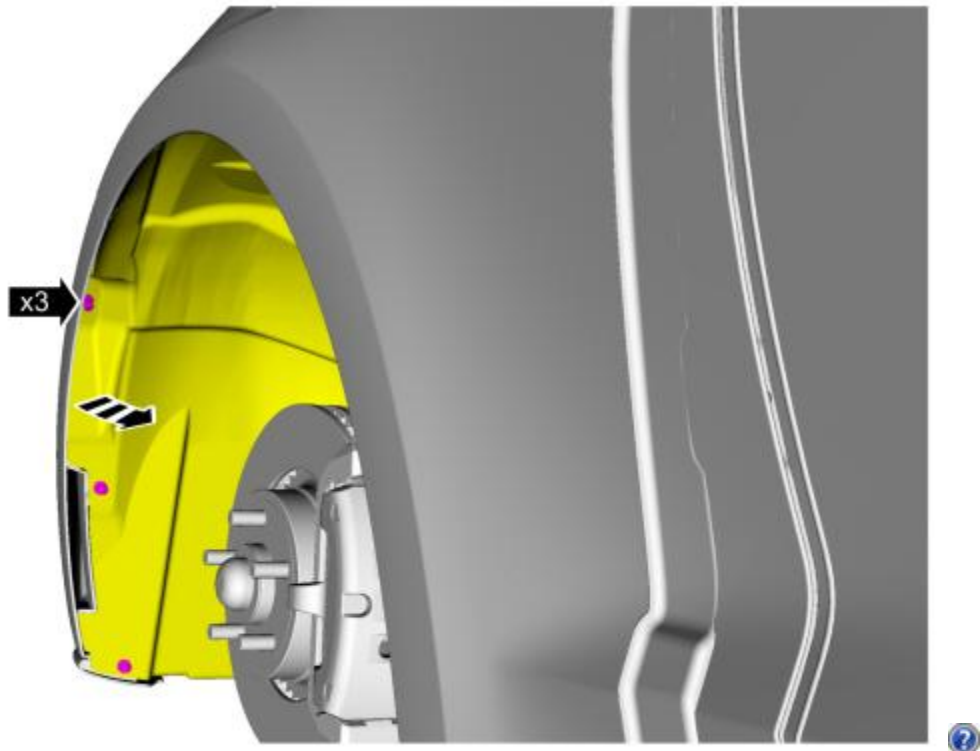


4. **NOTE:** On both sides.
Remove the push pins.



5. **NOTE:** *On both sides.*

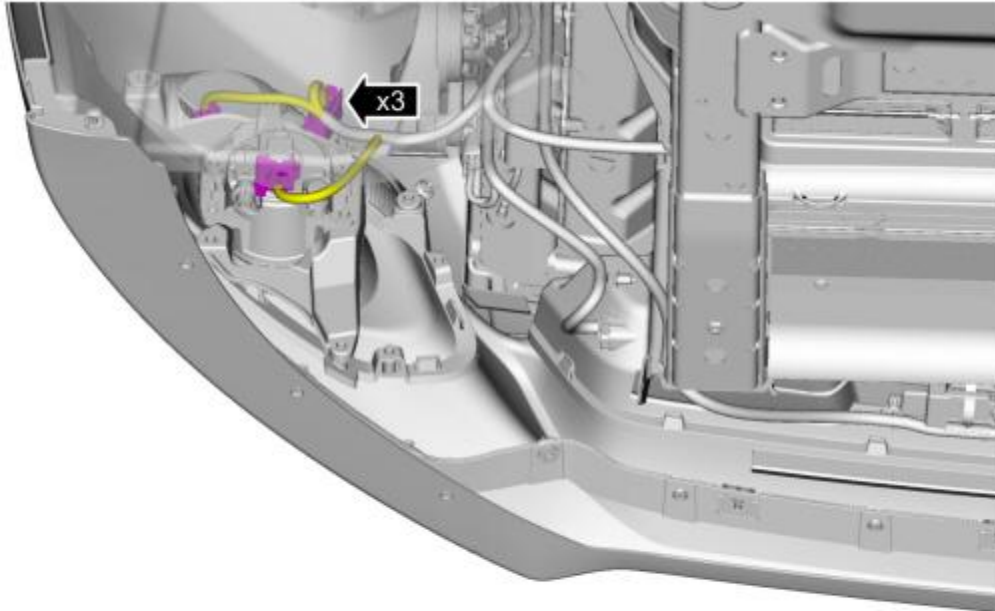
Remove the push pins and position the inner fender liner aside.



6. **NOTE:** *Halogen foglamp shown, LED fog lamp is similar.*

NOTE: *On both sides.*

Disconnect the electrical connectors.

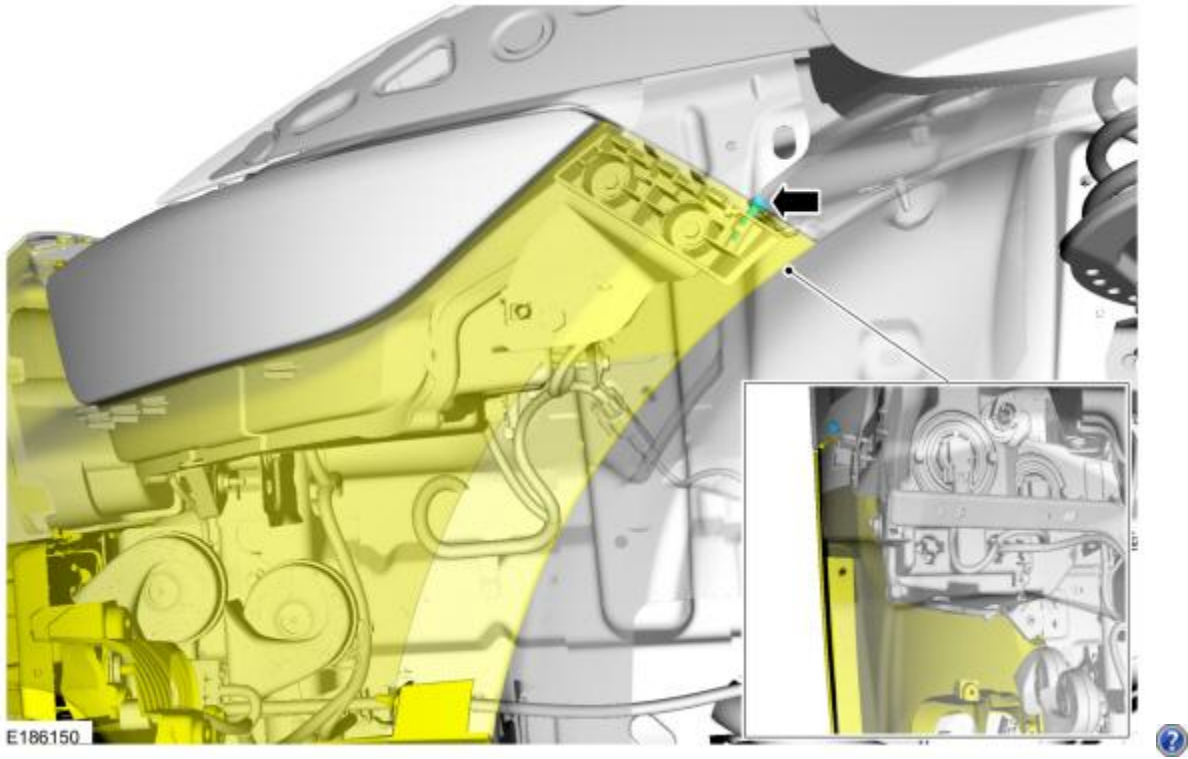


E186148

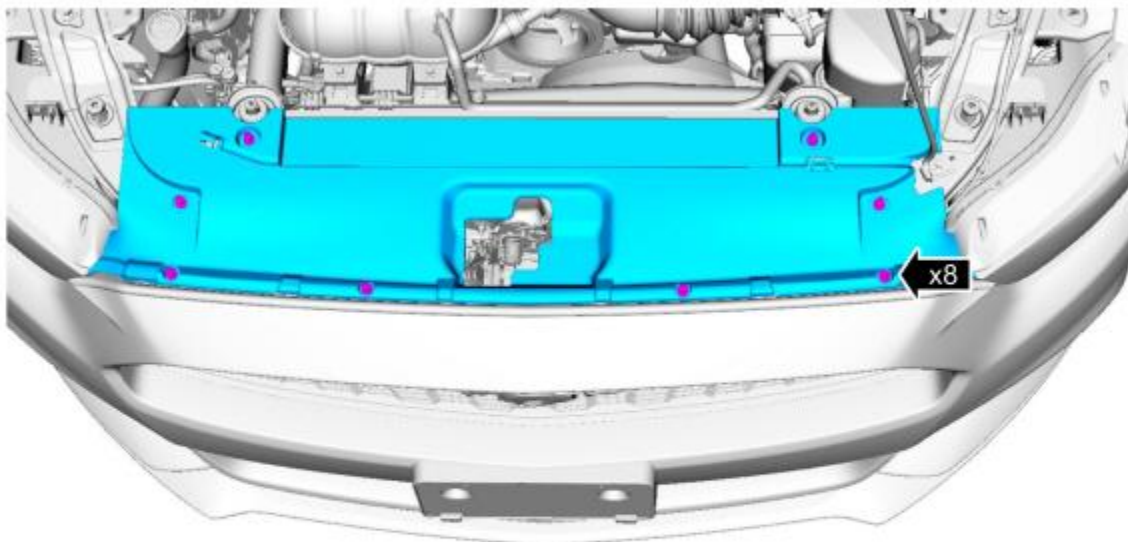


7. **NOTE:** *On both sides.*

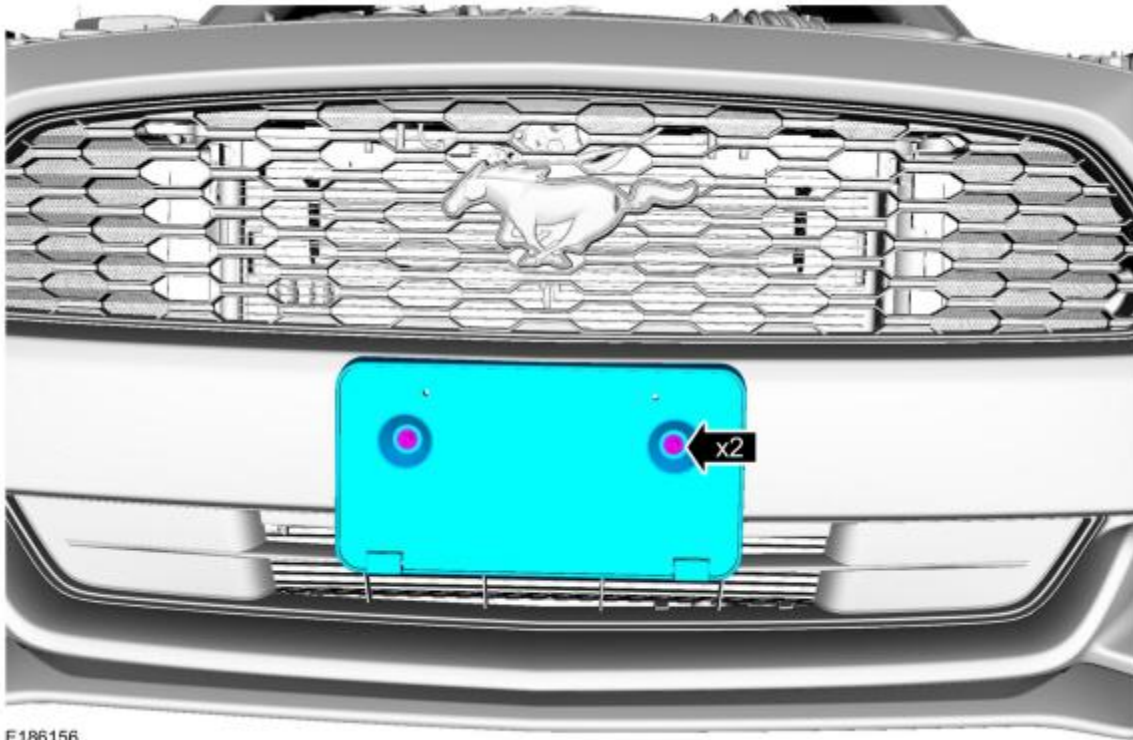
Remove the bolt and separate the front bumper cover from the fender bracket.
Torque : 15 lb.in (1.7 Nm)



8. Remove the push pins and the radiator sight shield.



9. If equipped, remove the screws and the license plate bracket.

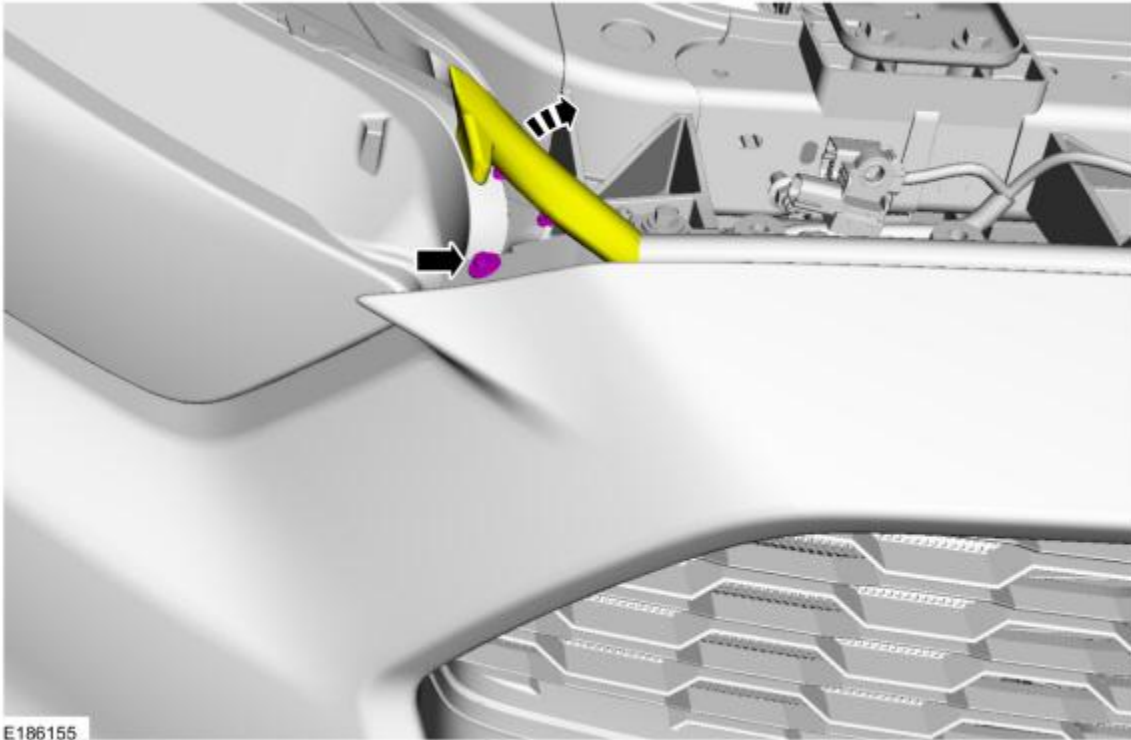


E186156

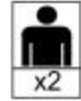
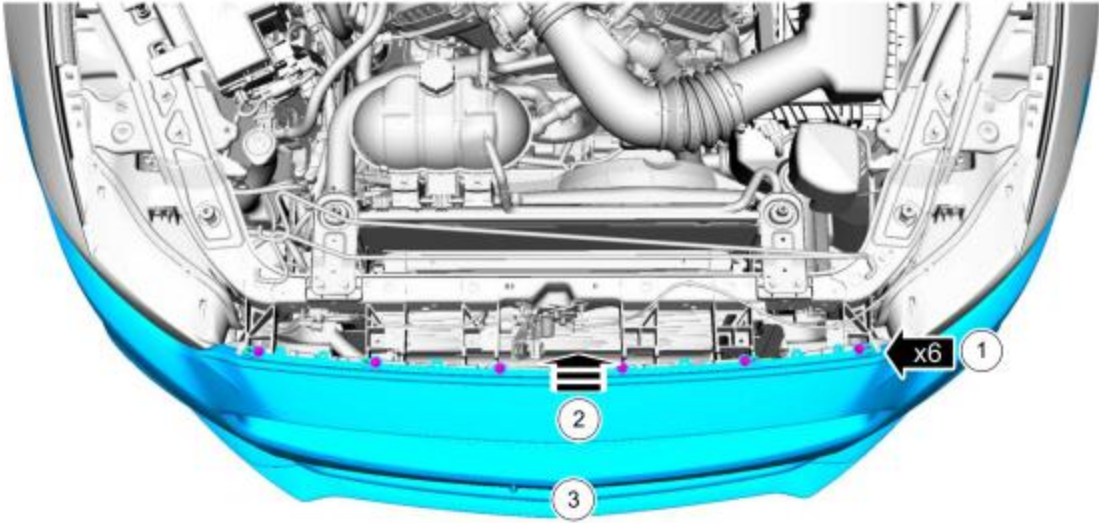


10. **NOTE:** *On both sides.*

Position aside the outer edge of the hood seal and remove the bolt.
Torque : 15 lb.in (1.7 Nm)



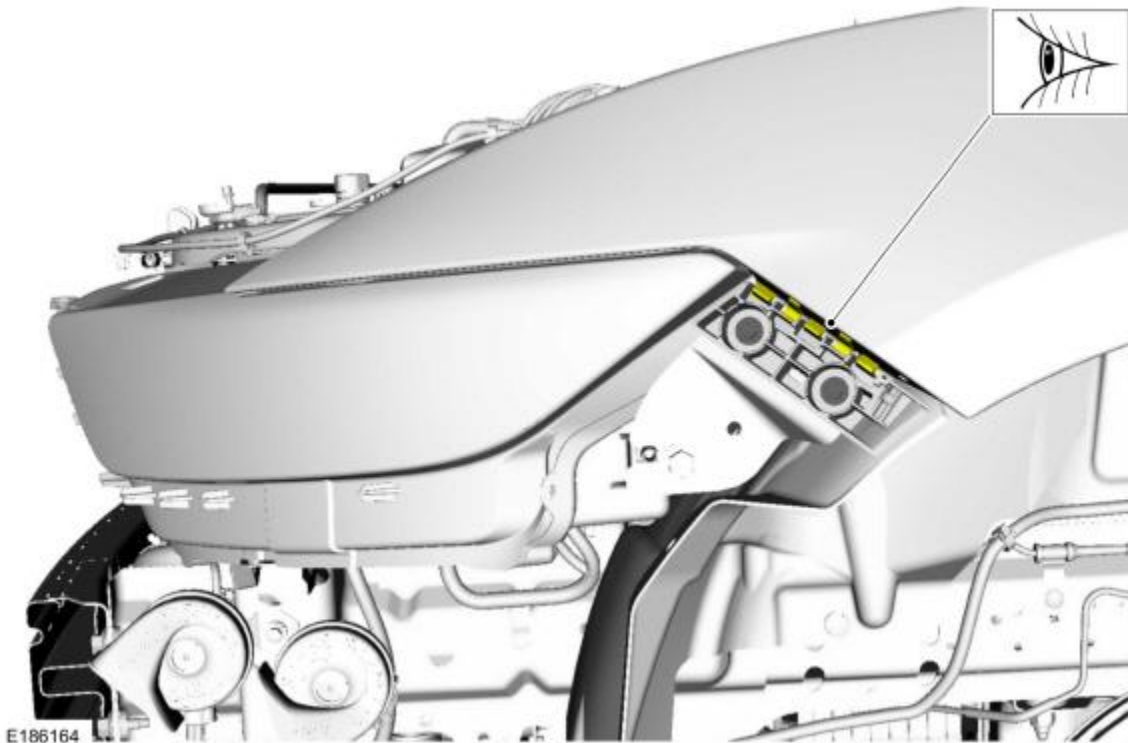
11. Remove the front bumper cover.
 1. Remove the screws.
Torque : 48 lb.in (5.4 Nm)
 2. Lift the front bumper cover up and off the alignment pins.
 3. Pull the front bumper cover forward and off the vehicle.



E186157



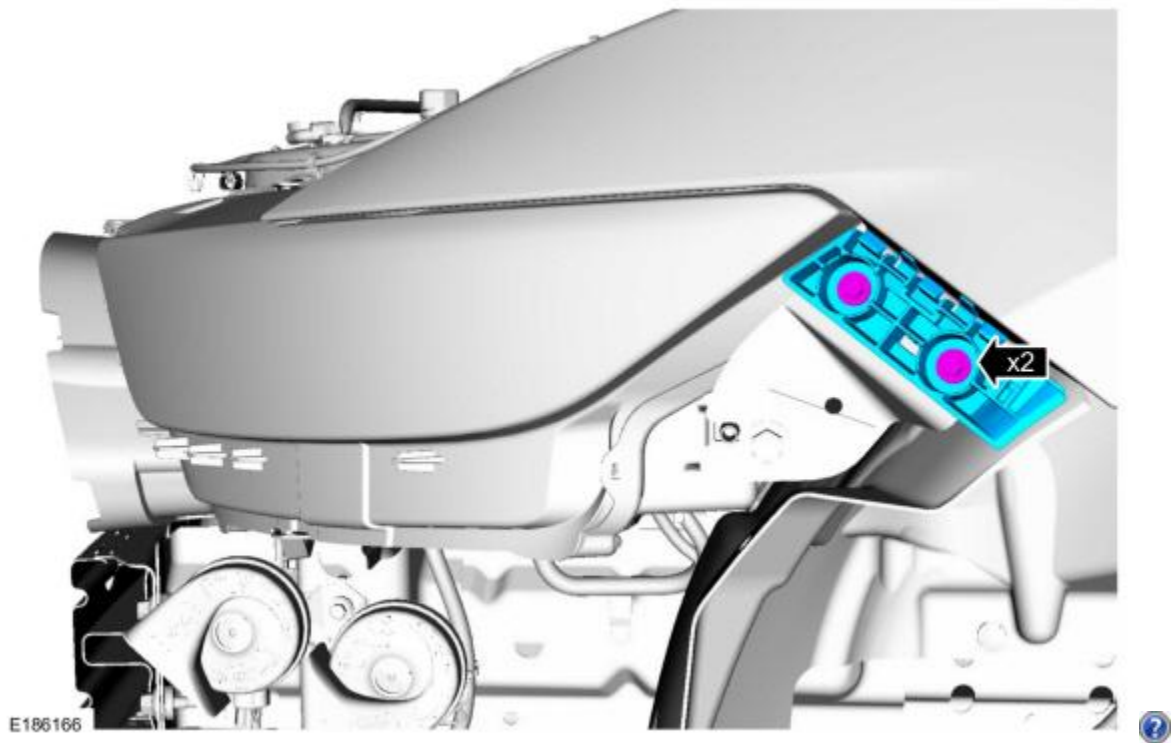
12. Inspect the fender bracket teeth for damage.



E186164



13. If required.
Remove the bolts and the fender bracket.
Torque : 13 lb.in (1.5 Nm)



Installation

1. To install, reverse the removal procedure.