
	<p>303-050 (T70P-6000) Lifting Bracket, Engine</p>
	<p>303-F072 Support Bar, Engine</p>

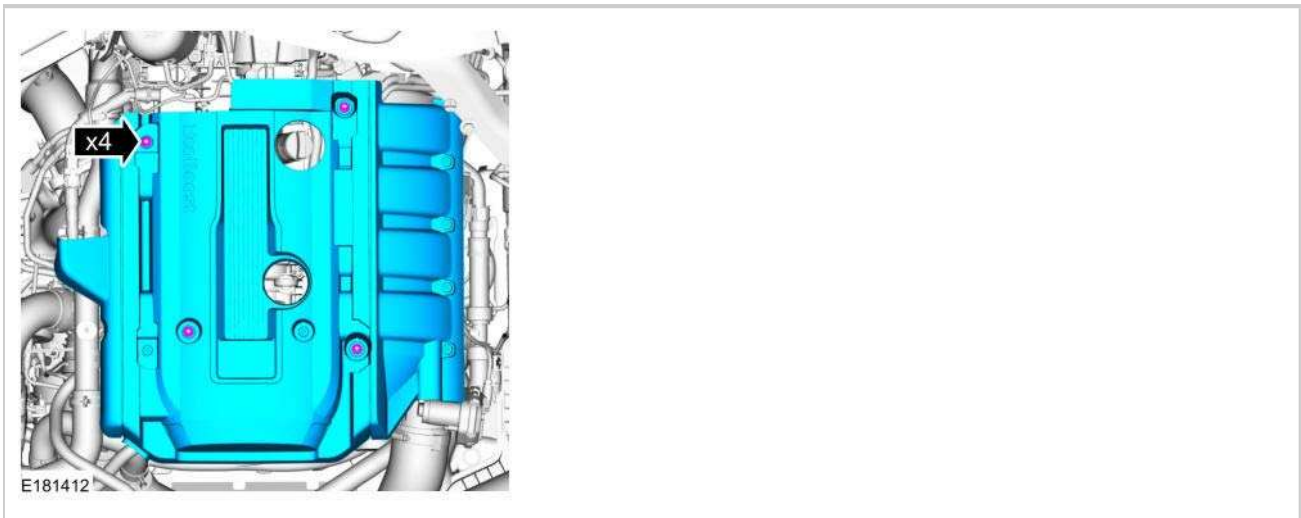
REMOVAL AND INSTALLATION > ENGINE MOUNT LH > REMOVAL

1.

With the vehicle in NEUTRAL, position it on a hoist. Refer to: Jacking and Lifting - Overview .

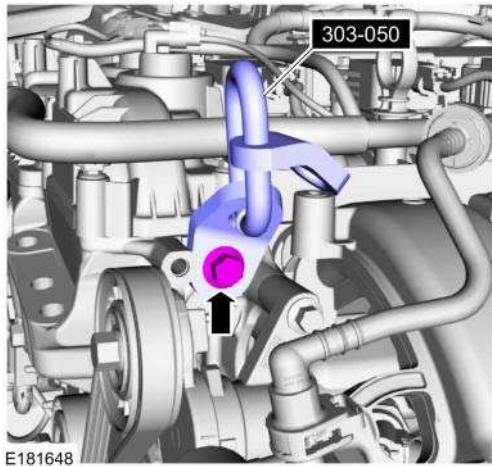
2.

Remove the nuts and the engine appearance cover.



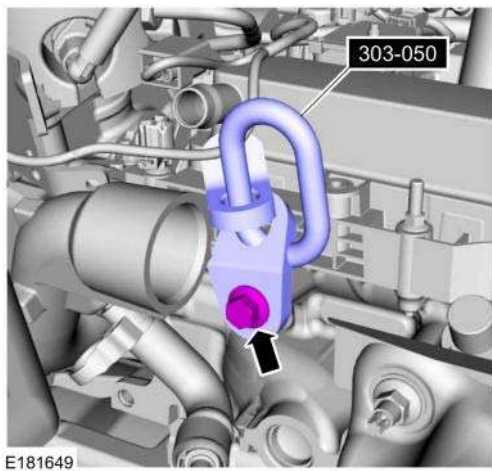
3.

Install the special tool on the LH side of the cylinder head. Install Special Service Tool: 303-050 (T70P-6000) Lifting Bracket, Engine.

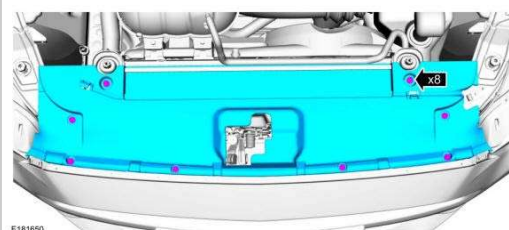



 **NOTE:** Coolant tube removed for clarity.

4. Install the special tool on the RH side of the cylinder head. Install Special Service Tool: 303-050 (T70P-6000) Lifting Bracket, Engine.

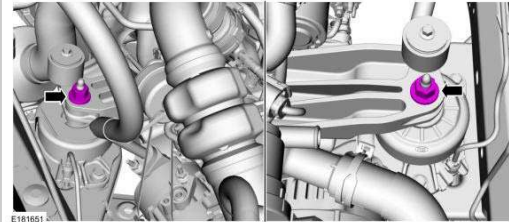


5. Disconnect the battery ground. Refer to: Battery Disconnect and Connect .
6. Remove the retainers and the radiator top shield.

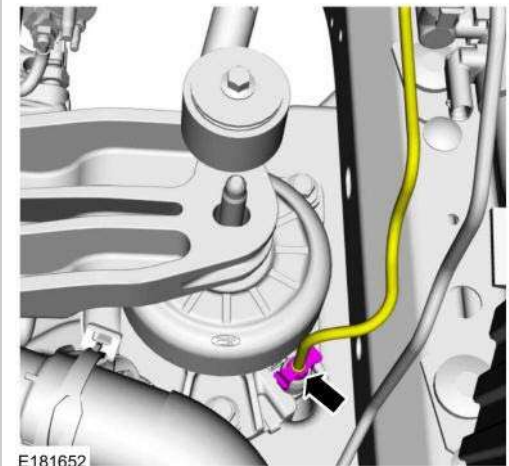


 **NOTE:** Both the engine mount nuts must be removed to allow the engine to be raised.

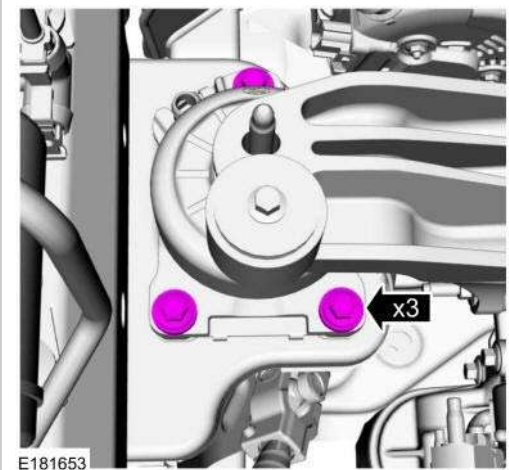
7. Remove the RH and LH engine mount bracket nuts.



8. Disconnect the vacuum tube from the LH engine mount.



9. Remove the bolts for the engine mount.




10.

Install the special tool and raise the engine 26 mm (1.0 in).

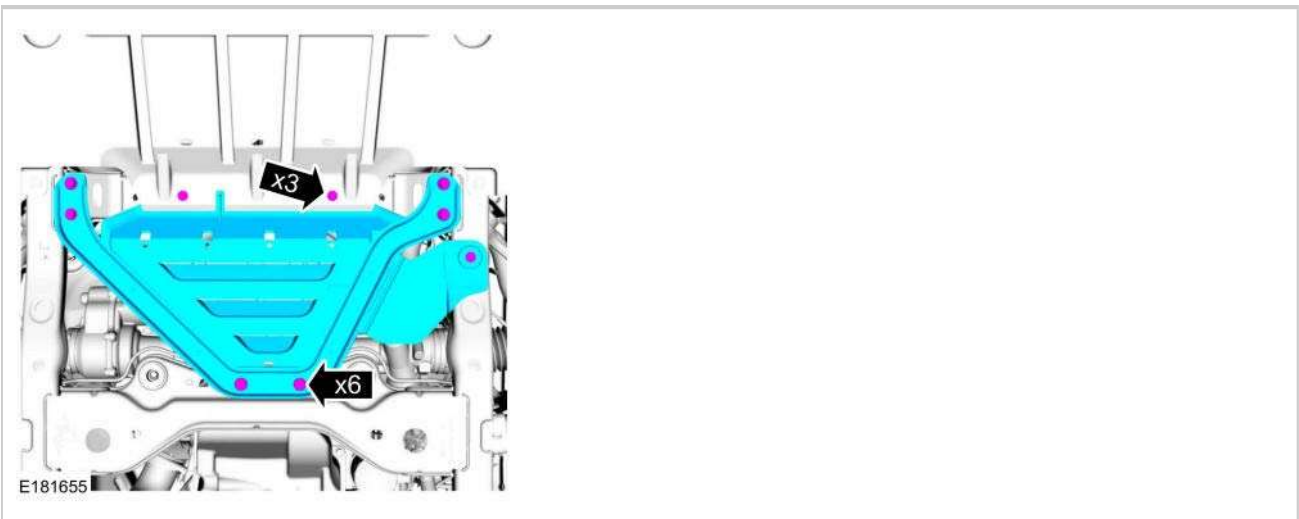
Use Special Service Tool: 303-F072 Support Bar, Engine.



 **NOTE:** The underbody shield will need to be removed for access to the LH front engine mount bracket bolt.

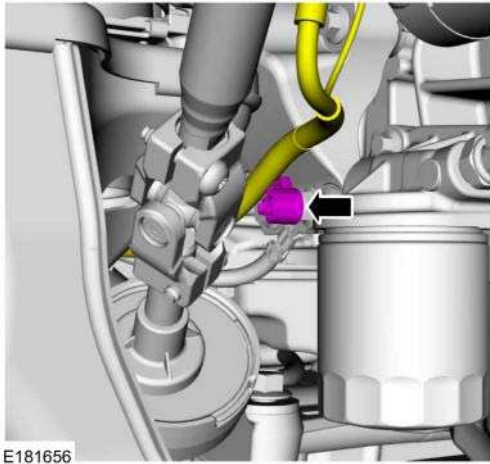
11.

Remove the screws, bolts and the underbody shield.



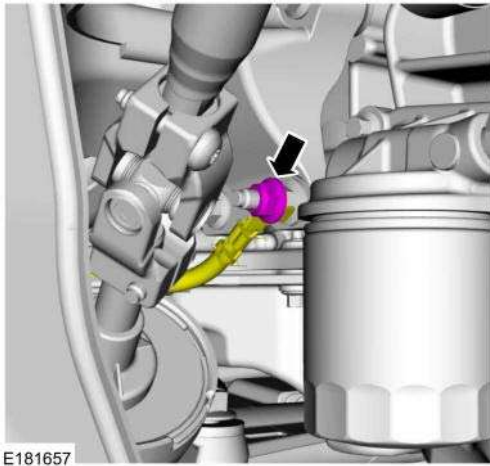
12.

Detach the wire harness retainer from the LH engine mount bracket stud bolt.



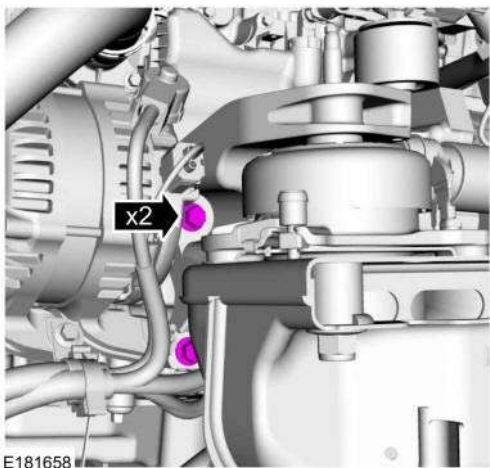
13.

Remove the nut and ground wire from the LH engine mount bracket stud bolt.



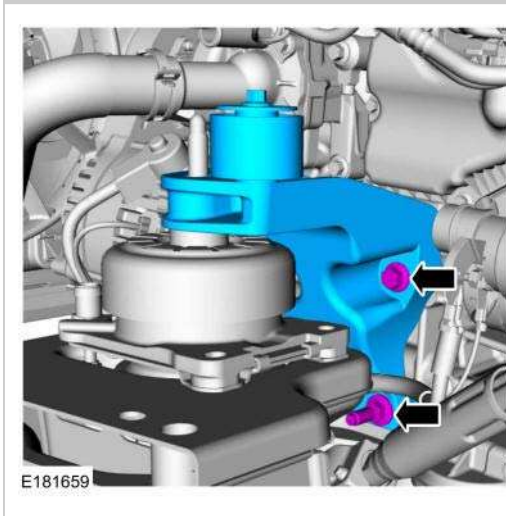
14.

Remove the bolts for the engine mount bracket.



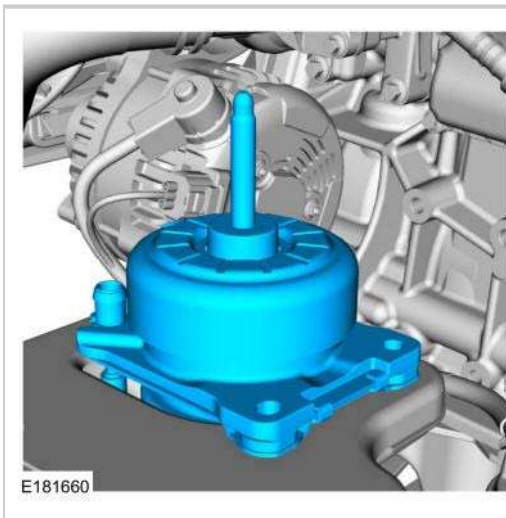
15.

Remove the bolt, stud bolt and the engine mount bracket.




16.

Remove the engine mount.

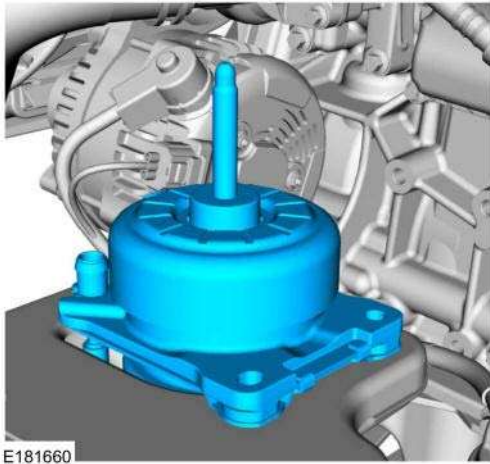


REMOVAL AND INSTALLATION > ENGINE MOUNT LH > INSTALLATION

 **NOTE:** Do not install the engine mount bolts at this time.

1.

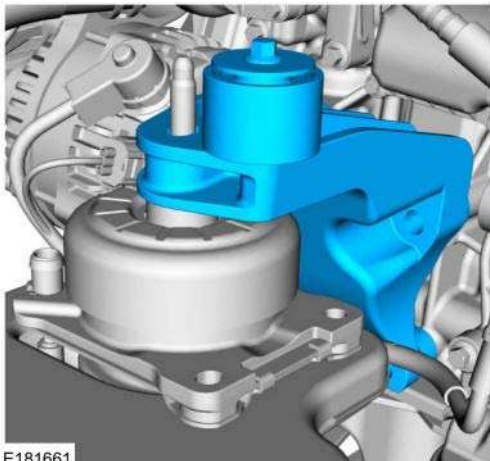
Install the engine mount.



NOTE: Do not install the engine mount bracket bolts at this time.

2.

Install the engine mount bracket.

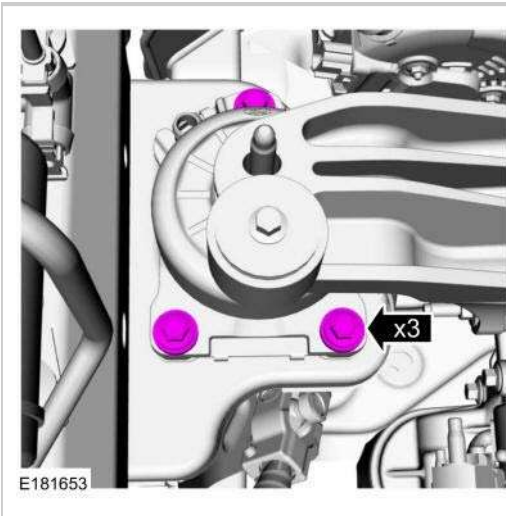


3.

Install the engine mount bolts.

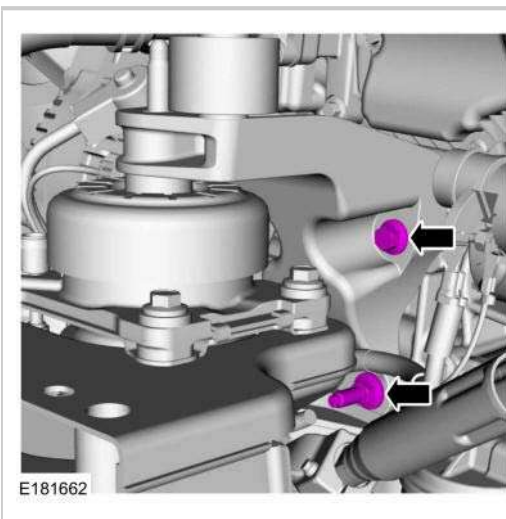
Torque

: 52 lb.ft (70 Nm)



4.

Install the bolt, stud bolt for the engine mount bracket finger tight.

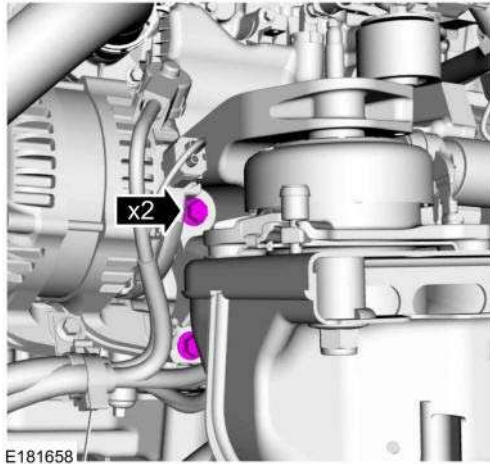


5.

Install the bolts for the engine mount bracket.

Torque

: 41 lb.ft (55 Nm)

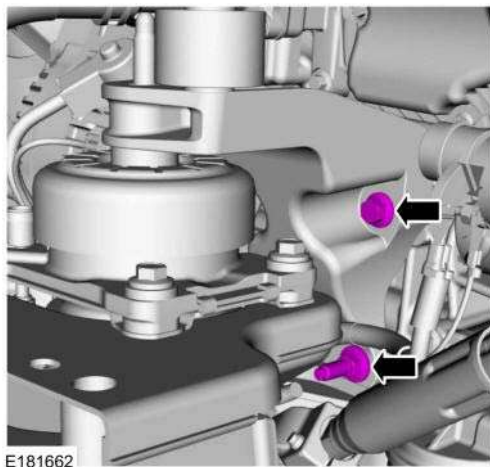


6.

Tighten the bolt, stud bolt for the engine mount bracket.

Torque

: 41 lb.ft (55 Nm)

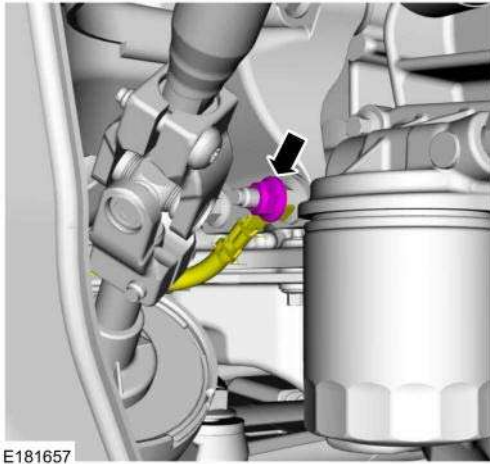


7.

Install the ground wire and nut to the LH engine mount bracket stud bolt.

Torque

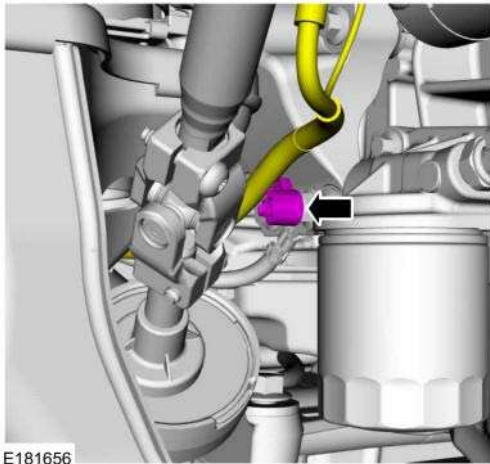
: 35 lb.ft (48 Nm)



E181657

8.

Attach the wire harness retainer to the LH engine mount bracket stud bolt.



E181656

9.

1.

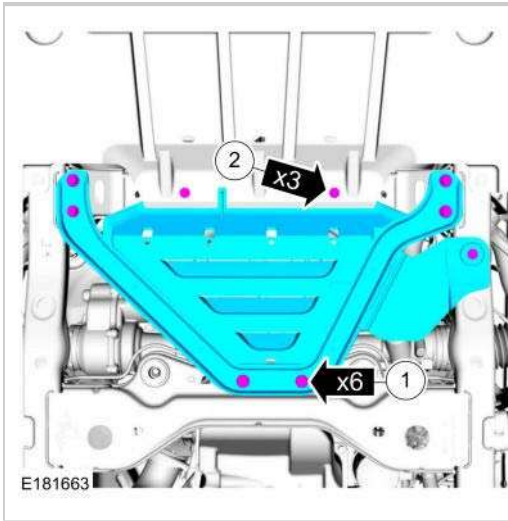
Install the underbody shield and the bolts.

Torque

: 46 lb.ft (63 Nm)

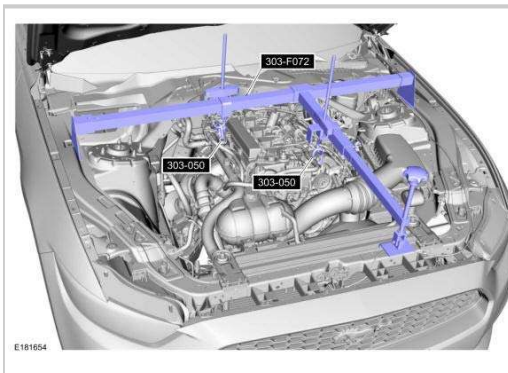
2.

Install the underbody shield screws.



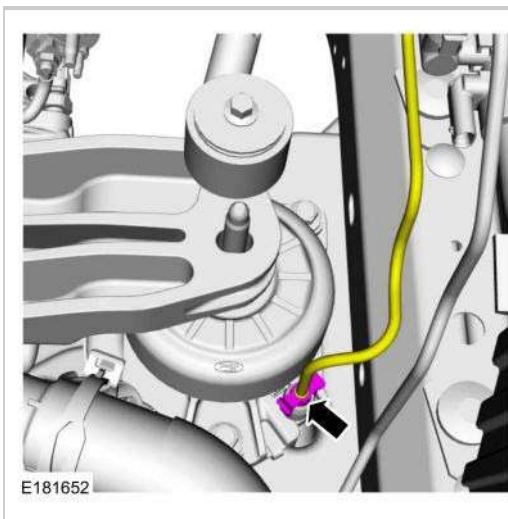
10.

Lower the engine 26 mm (1.0 in) and remove the special tool. Remove Special Service Tool: 303-F072 Support Bar, Engine.



11.

Connect the vacuum tube to the LH engine mount.

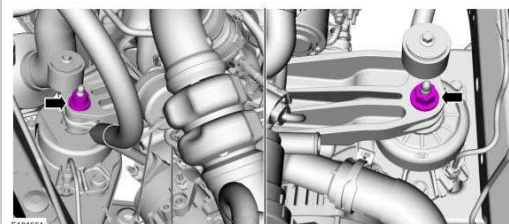


12.

Install the RH and LH engine mount bracket nuts.

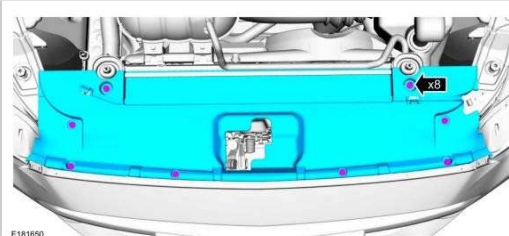
Torque

: 92 lb.ft (125 Nm)



13.

Install the radiator top shield and the retainers.

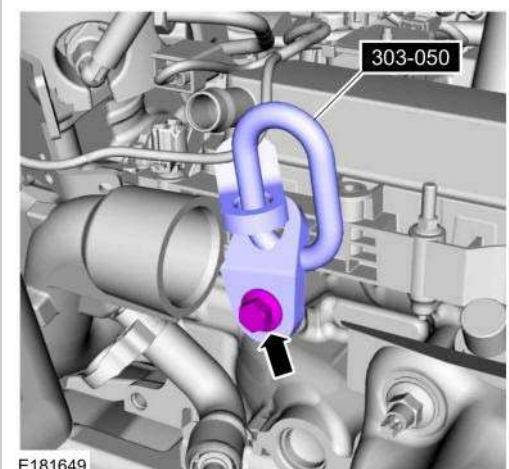


14.

Connect the battery ground. Refer to: Battery Disconnect and Connect .

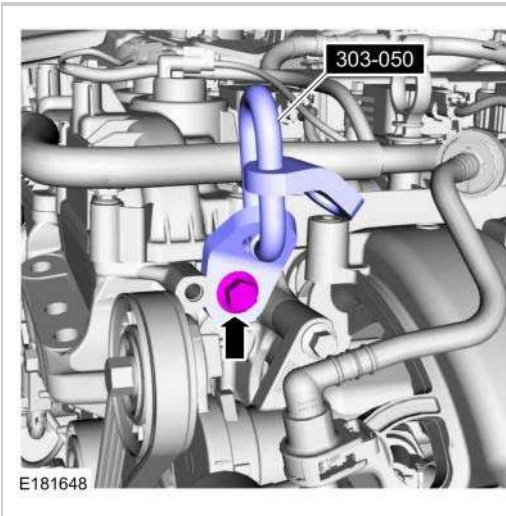
15.

Remove Special Service Tool: 303-050 (T70P-6000) Lifting Bracket, Engine.



16.

Remove Special Service Tool: 303-050 (T70P-6000) Lifting Bracket, Engine.

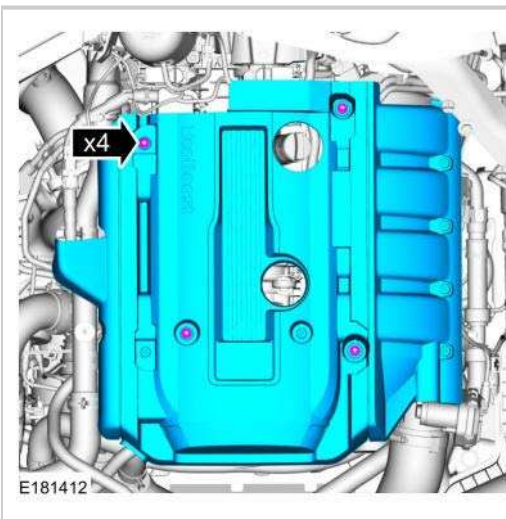


17.

Install the engine appearance cover and the nuts.

Torque

: 80 lb.in (9 Nm)



REMOVAL AND INSTALLATION > ENGINE MOUNT RH

Special Tool(s) / General Equipment



303-050 (T70P-6000) Lifting Bracket, Engine



303-F072 Support Bar, Engine

REMOVAL AND INSTALLATION > ENGINE MOUNT RH > REMOVAL

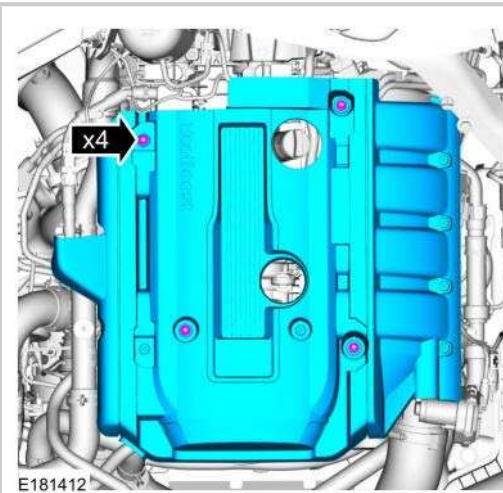
6-Speed Automatic Transmission - 6R80/6-Speed Manual Transmission - MT82

1.

With the vehicle in NEUTRAL, position it on a hoist. Refer to: Jacking and Lifting - Overview .

2.

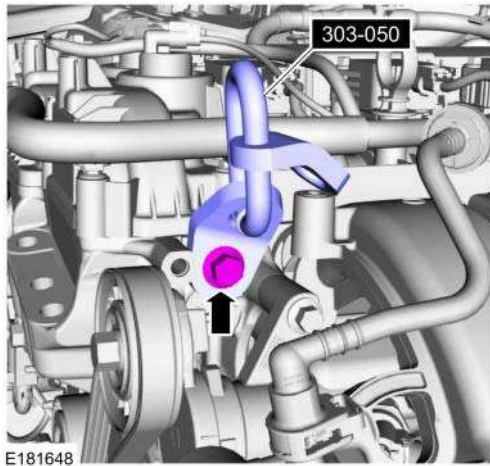
Remove the nuts and the engine appearance cover.



3.

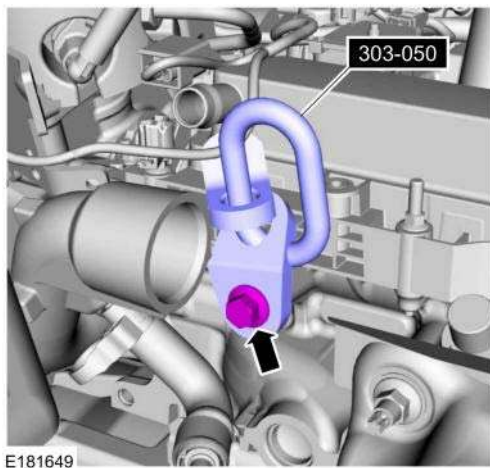
Install the special tool on the LH side of the cylinder head.

Install Special Service Tool: (T70P-6000) Lifting Bracket, Engine.

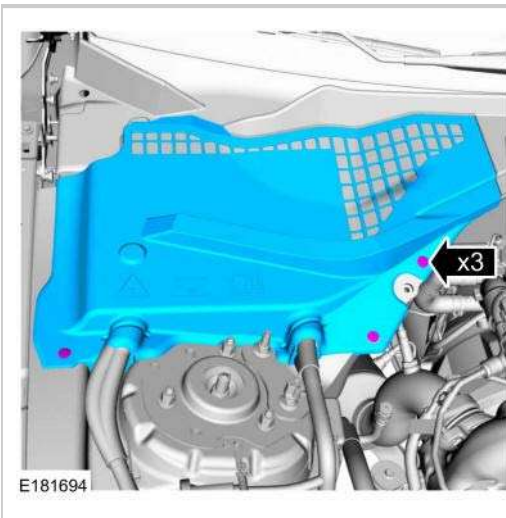


 **NOTE:** Coolant tube removed for clarity.

4.
Install the special tool on the RH side of the cylinder head.
Install Special Service Tool: 303-050 (T70P-6000) Lifting Bracket, Engine.

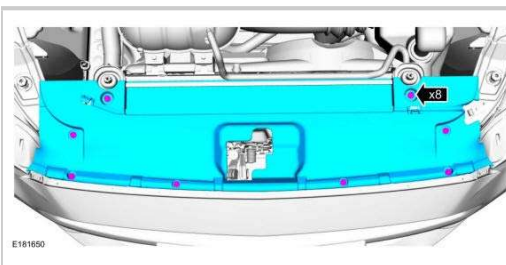



5.
Remove the retainers and the battery cover.



6.

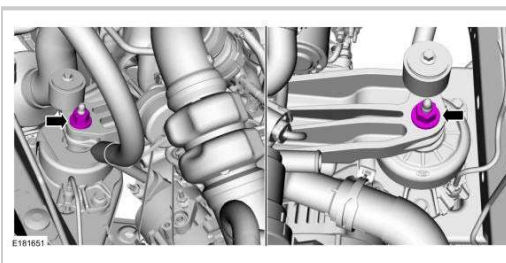
Remove the retainers and the radiator top shield.



 **NOTE:** Both the engine mount nuts must be removed to allow the engine to be raised.

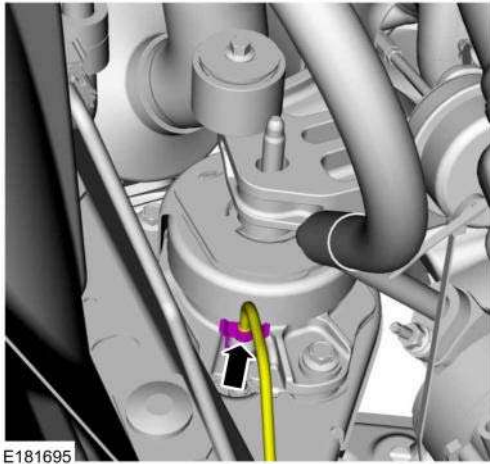
7.

Remove the RH and LH engine mount nuts.



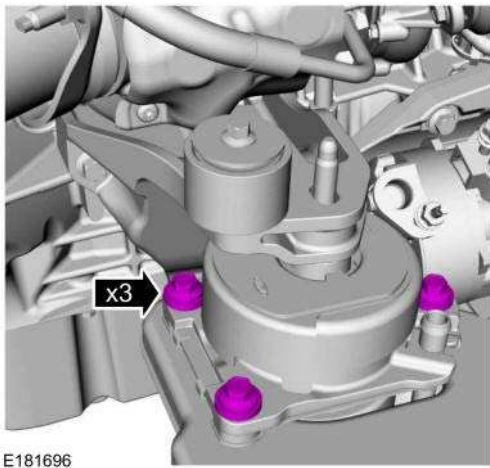
8.

Disconnect the vacuum tube from the RH engine mount.



9.

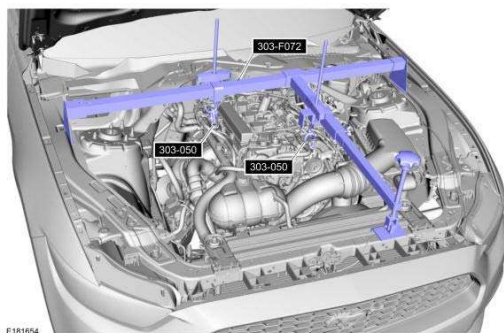
Remove the bolts for the engine mount.



10.

Install the special tool and raise the engine 26 mm (1.0 in).

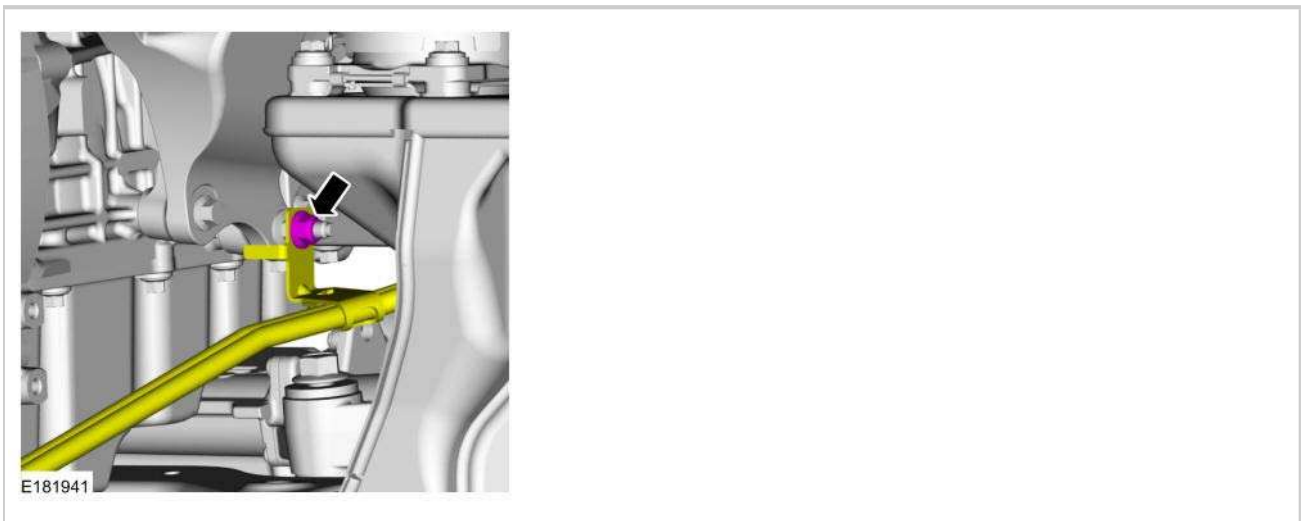
Use Special Service Tool: 303-F072 Support Bar, Engine.



6-Speed Automatic Transmission - 6R80

11.

Remove the nut from the engine mount bracket stud bolt and position the automatic transmission tube bracket aside.



6-Speed Automatic Transmission - 6R80/6-Speed Manual Transmission - MT82

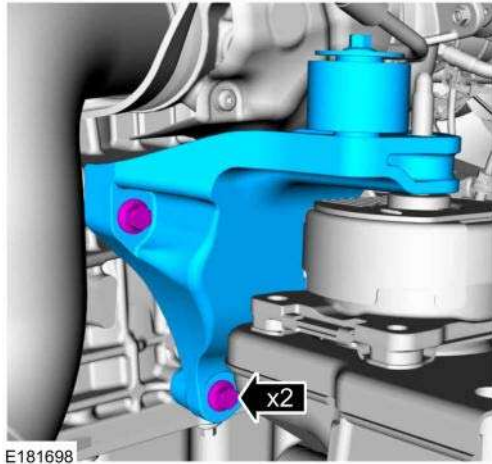
12.

Remove the bolt, stud bolt for the engine mount bracket.



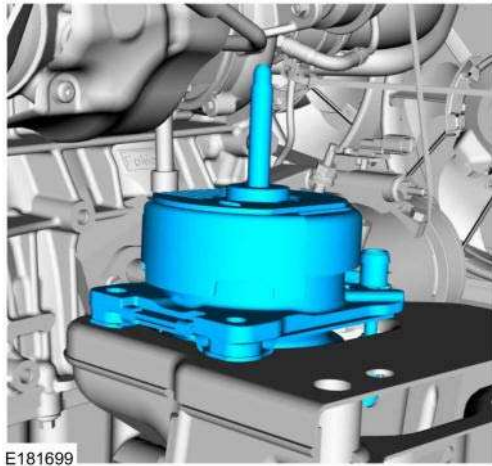
13.

Remove the bolts and the engine mount bracket.



14.

Remove the engine mount.



REMOVAL AND INSTALLATION > ENGINE MOUNT RH > INSTALLATION

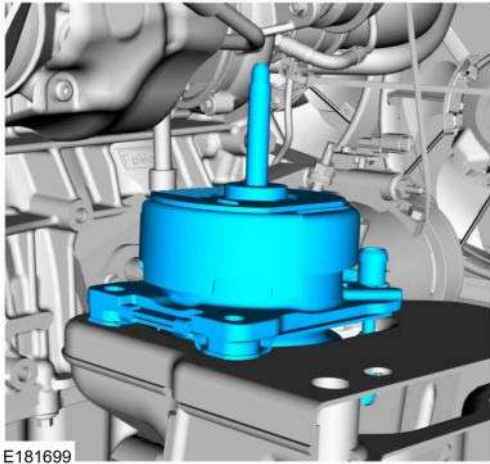
6-Speed Automatic Transmission - 6R80/6-Speed Manual Transmission - MT82



NOTE: Do not install the engine mount bolts at this time.

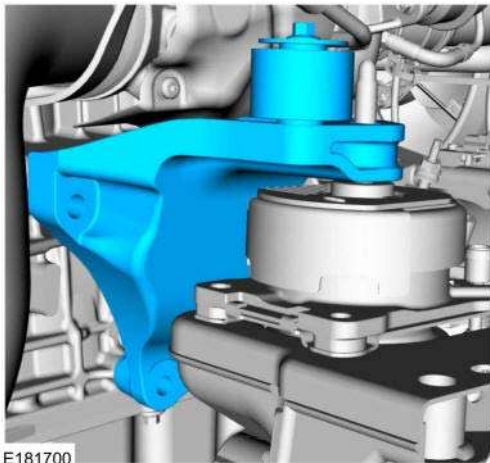
1.

Install the engine mount.



NOTE: Do not install the engine mount bracket bolts at this time.

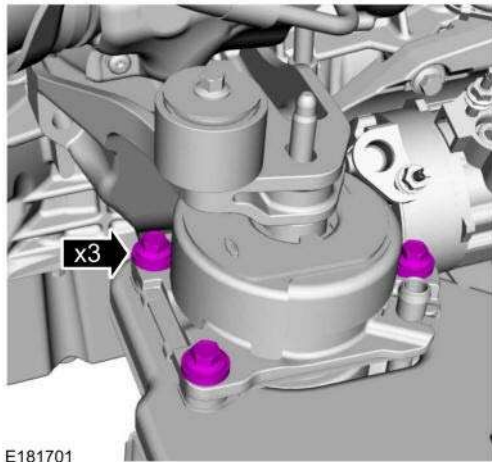
2.
Install the engine mount bracket.



3.
Install the engine mount bolts.

Torque

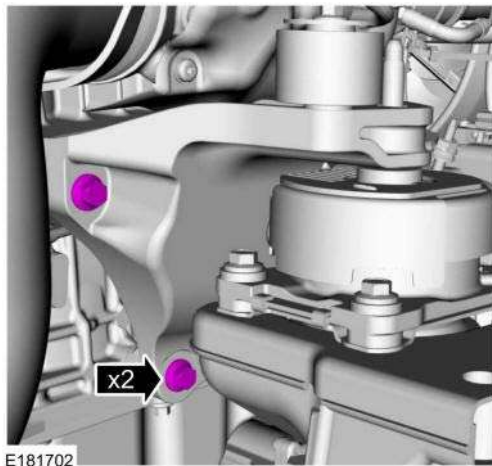
: 52 lb.ft (70 Nm)



E181701

4.

Install the bolts for the engine mount bracket finger tight.



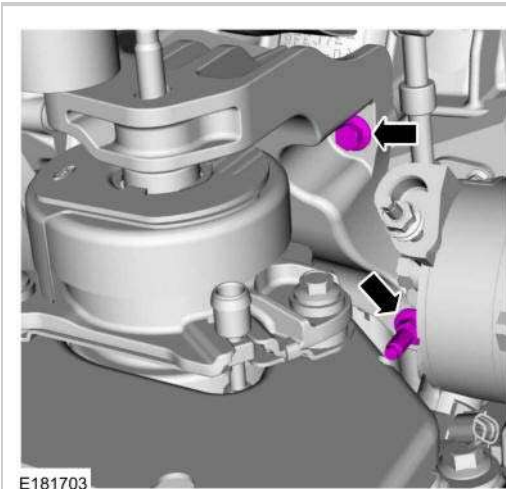
E181702

5.

Install the bolt, stud bolt for the engine mount bracket.

Torque

: 41 lb.ft (55 Nm)

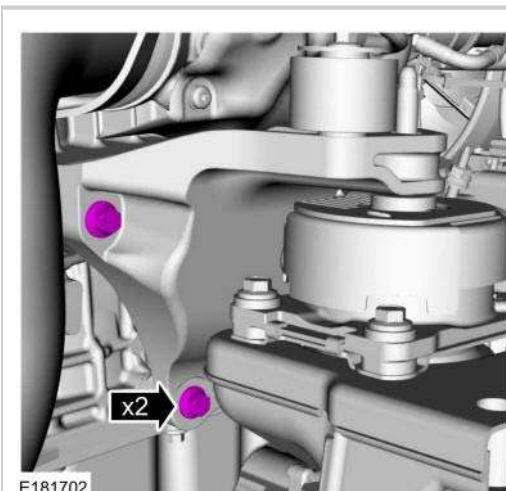


6.

Tighten the bolts for the engine mount bracket.

Torque

: 41 lb.ft (55 Nm)



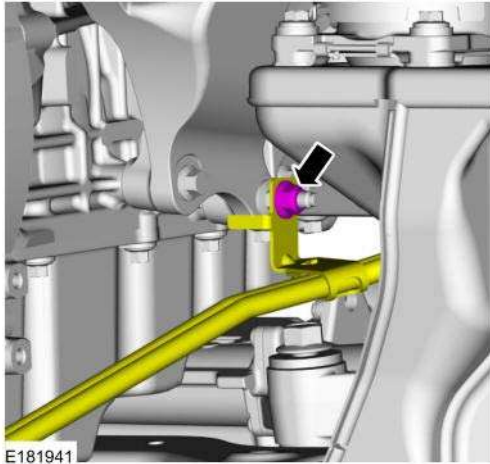
6-Speed Automatic Transmission - 6R80

7.

Position the automatic transmission tube bracket and install the nut.

Torque

: 35 lb.ft (48 Nm)

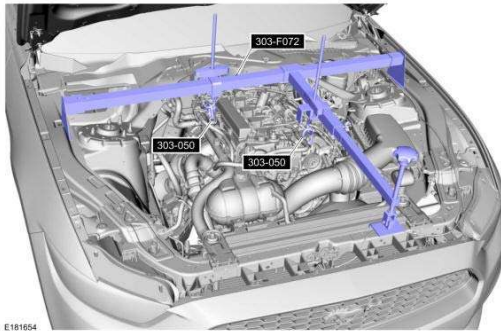


6-Speed Automatic Transmission - 6R80/6-Speed Manual Transmission - MT82

8.

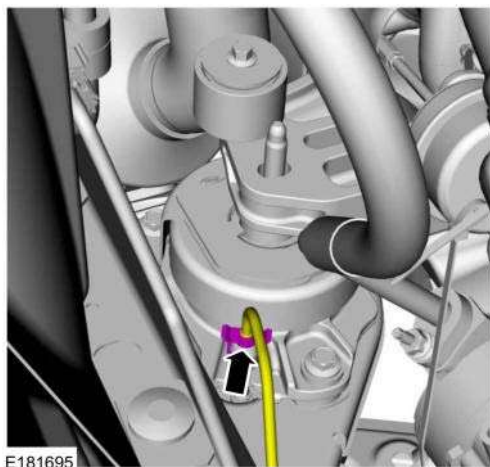
Lower the engine 26 mm (1.0 in) and remove the special tool.

Remove Special Service Tool: 303-F072 Support Bar, Engine.



9.

Connect the vacuum tube to the RH engine mount.

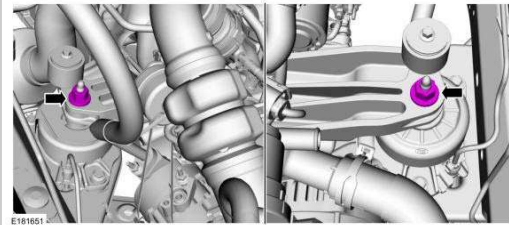


10.

Install the RH and LH engine mount nuts.

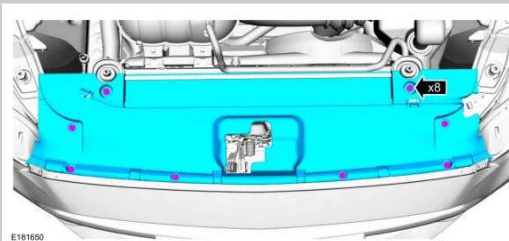
Torque

: 92 lb.ft (125 Nm)



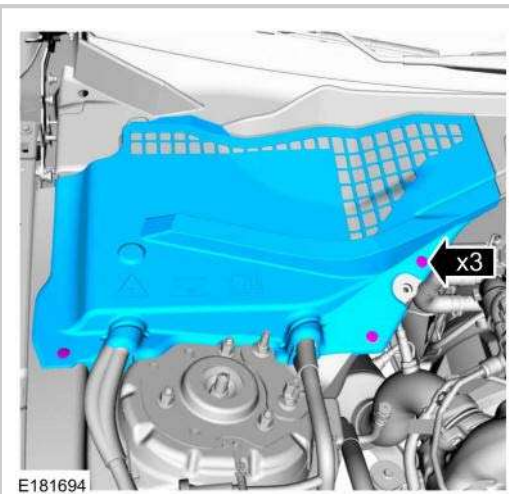
11.

Install the radiator top shield and the retainers.



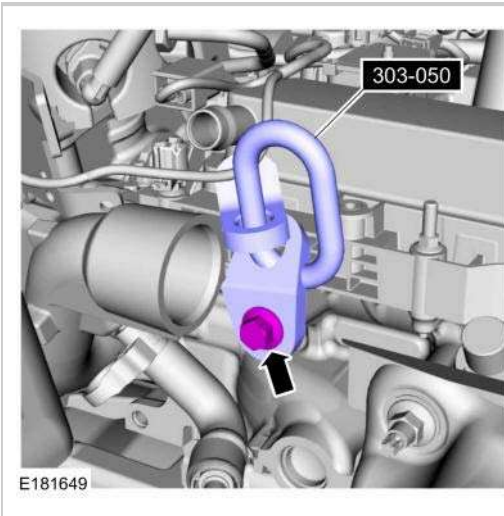
12.

Install the battery cover and the retainers.



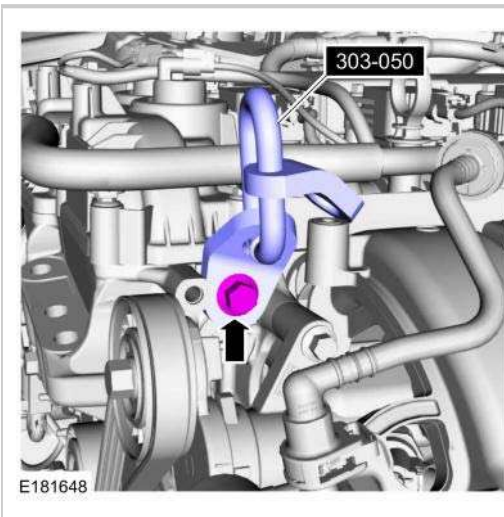
13.

Remove Special Service Tool: 303-050 (T70P-6000) Lifting Bracket, Engine.



14.

Remove Special Service Tool: 303-050 (T70P-6000) Lifting Bracket, Engine.



15.

Install the engine appearance cover and the nuts.

Torque

: 80 lb.in (9 Nm)