



303-01B Engine - 5.0L 32V Ti-VCT (359kW/486PS) (WU)/5.0L Ti-VCT V8 (343kW/466PS) (MF)

2022 - 2023 Mustang

Removal and Installation

Procedure revision date:  
03/15/2023**Crankshaft Pulley****Special Tool(s) / General Equipment**

 <p>E216458</p>	<p><a href="#">303-1531</a> Installer, Front Crank Seal and Damper</p>
 <p>E222985</p>	<p><a href="#">303-335</a> (T88T-6701-A) Installer, Front Cover Oil Seal TKIT-1988-FLM TKIT-1988-F</p>
Strap Wrench	
Puller	

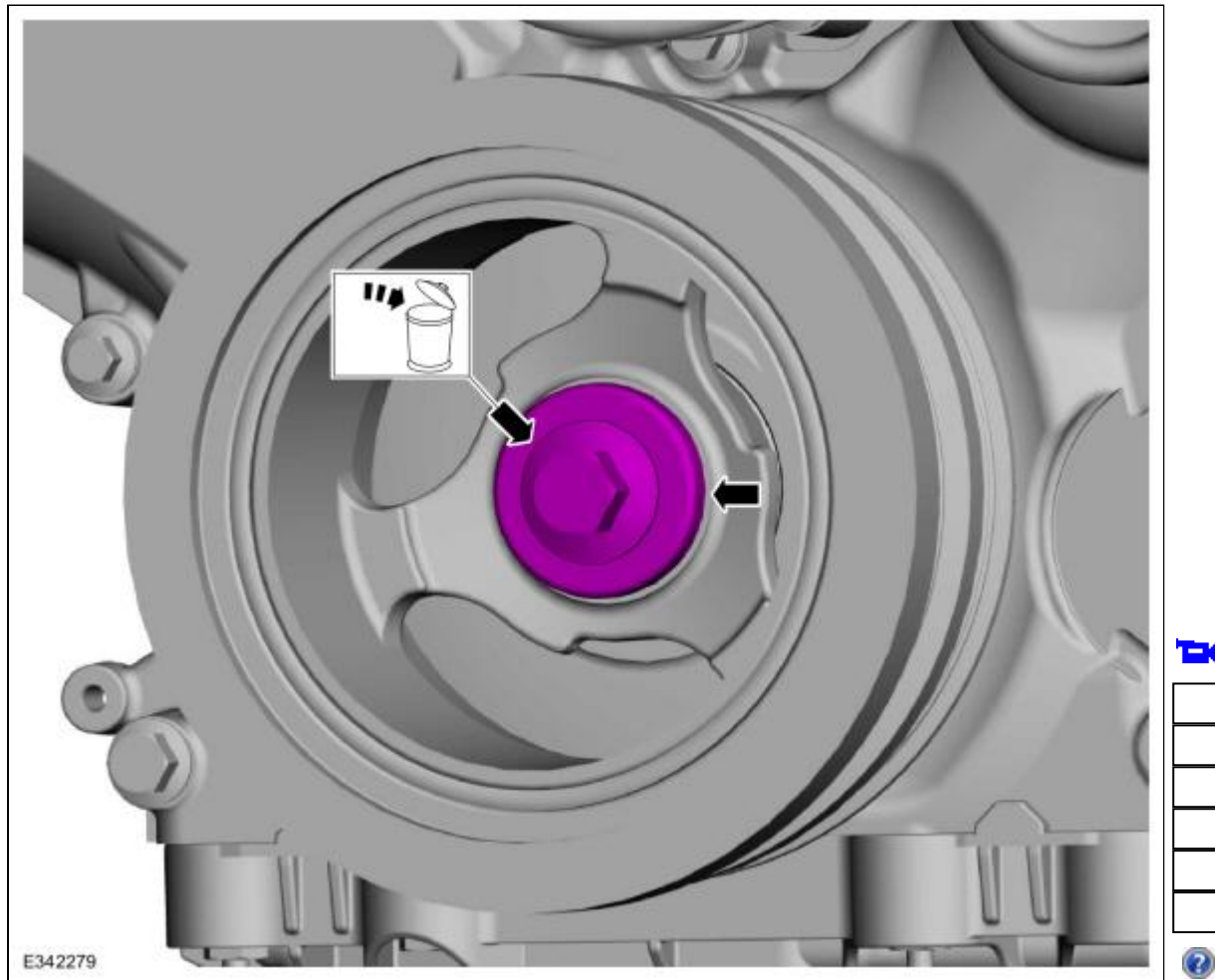
**Materials**

Name	Specification
Motorcraft® High Performance Engine RTV Silicone TA-357	WSE-M4G323-A6

**Removal**

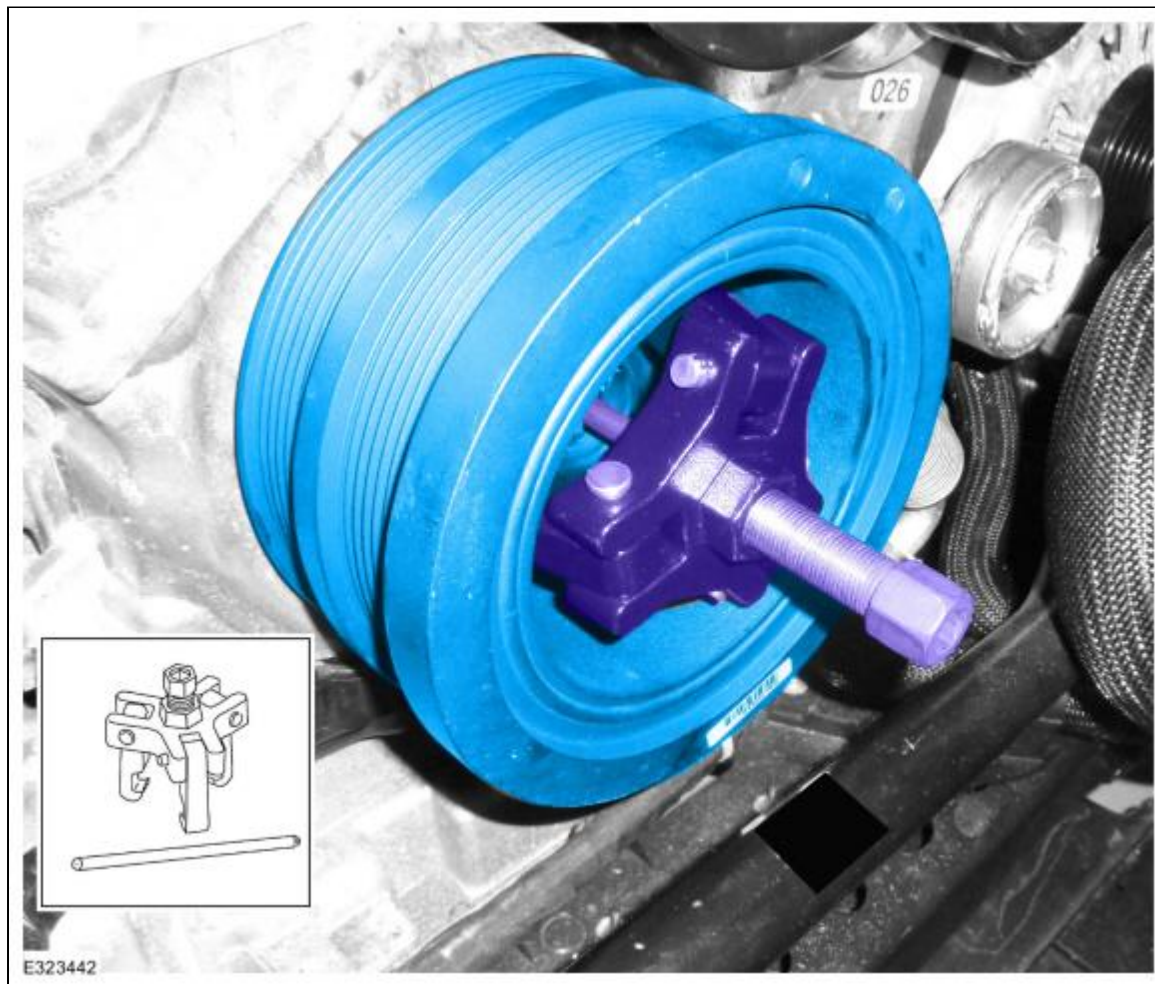
- Remove the following items:
  - Refer to: [Cooling Fan Motor and Shroud](#) (303-03B Engine Cooling - 5.0L 32V Ti-VCT (359kW/486PS) (WU)/5.0L Ti-VCT V8 (343kW/466PS) (MF), Removal and Installation).
  - Refer to: [Accessory Drive Belt](#) (303-05B Accessory Drive - 5.0L 32V Ti-VCT (359kW/486PS) (WU)/5.0L Ti-VCT V8 (343kW/466PS) (MF), Removal and Installation).
  - Refer to: [Air Conditioning \(A/C\) Compressor Belt](#) (303-05B Accessory Drive - 5.0L 32V Ti-VCT (359kW/486PS) (WU)/5.0L Ti-VCT V8 (343kW/466PS) (MF), Removal and Installation).
- NOTE:** If necessary, retain the original bolt for to perform the crankshaft front seal procedure.

Remove and discard the crankshaft damper pulley bolt. The washer will be reused.



3. **NOTE:** Use a universal puller (such as an OTC 6667, or equivalent).

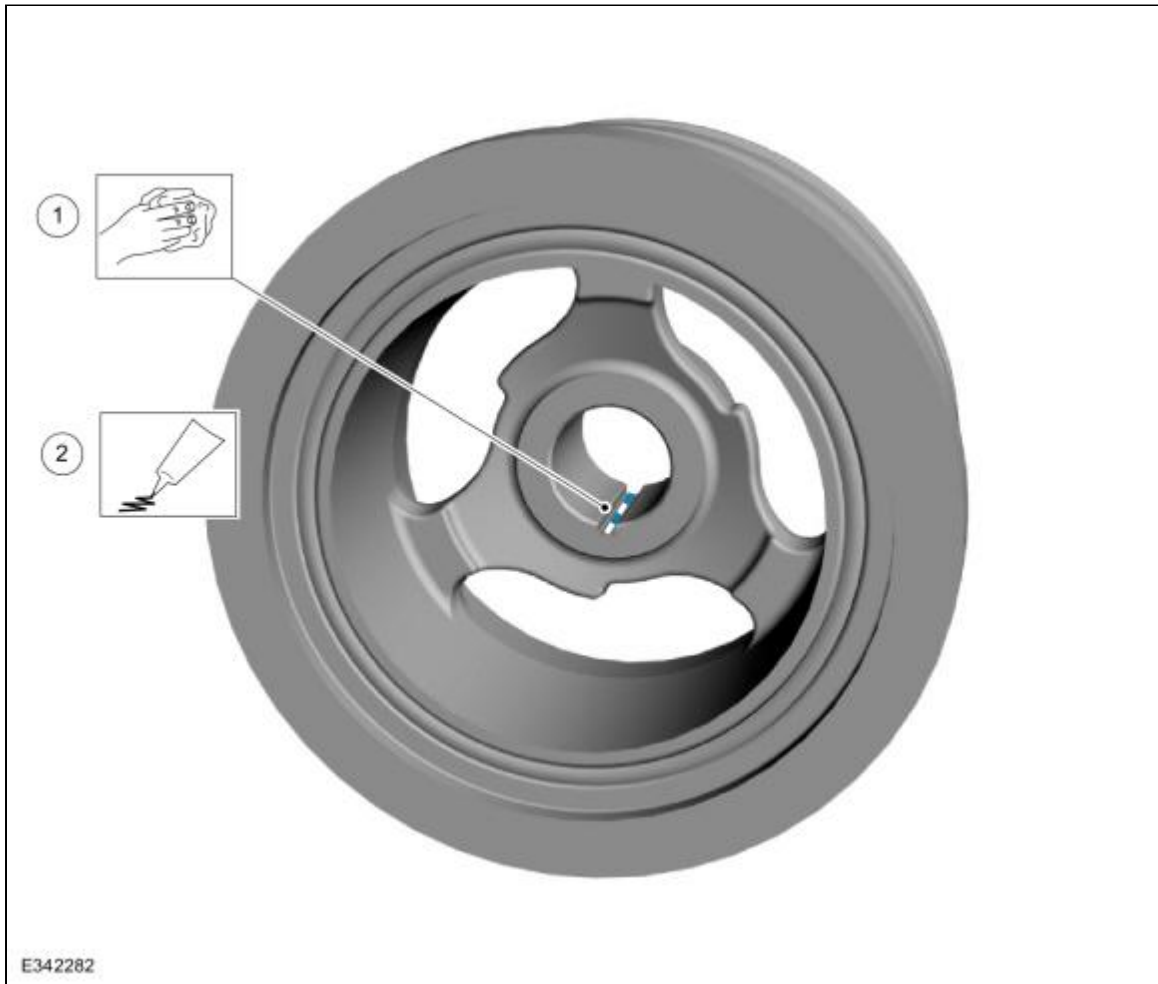
Using a universal puller, remove the crankshaft damper pulley.  
Use the General Equipment: Puller



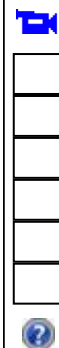
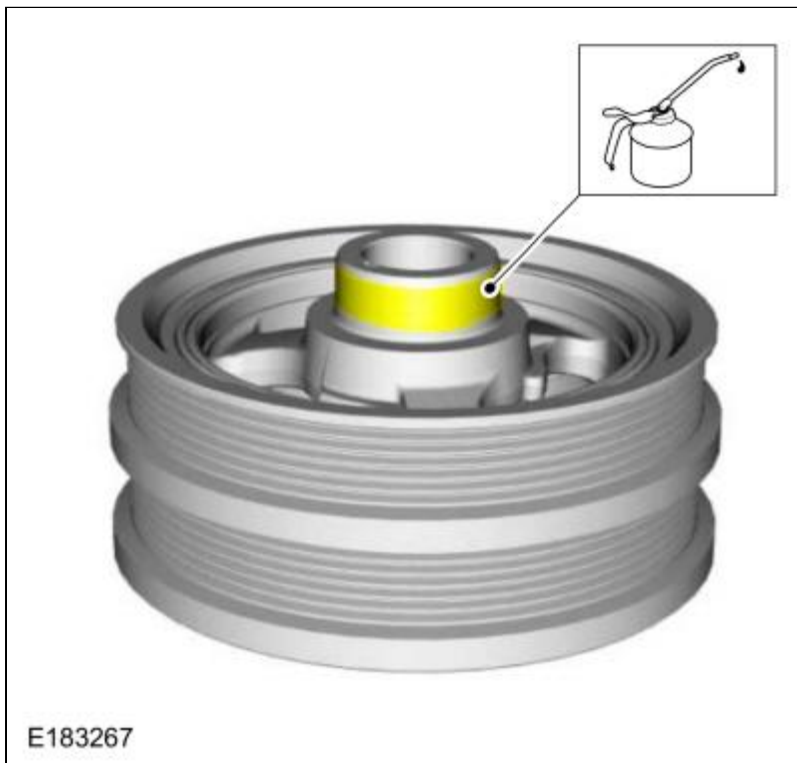
### Installation

1. 1. Clean off any residual sealer from the Woodruff key slot and the Woodruff key on the crankshaft (not shown).
2. **NOTE:** *If not secured within 5 minutes, the sealant must be removed and the sealing area cleaned. Failure to follow this procedure can cause future oil leakage.*

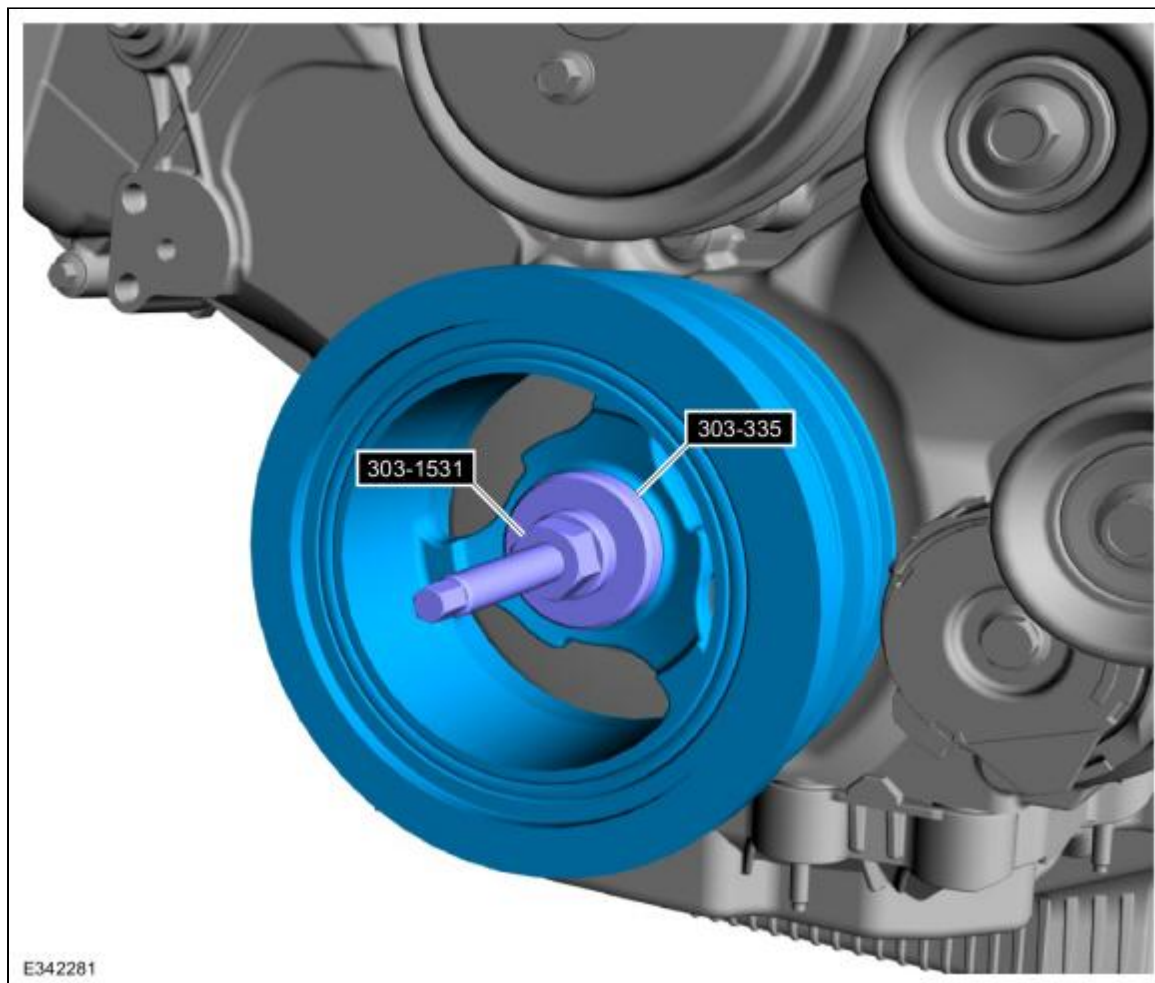
Apply silicone gasket and sealant to the Woodruff key slot in the crankshaft damper pulley.  
 Material: Motorcraft® High Performance Engine RTV Silicone / TA-357 (WSE-M4G323-A6)



2. Lubricate the crankshaft damper pulley sealing surface with clean engine oil prior to installation.



3. Using the special tools, install the crankshaft damper pulley.  
Use Special Service Tool: [303-335 \(T88T-6701-A\) Installer, Front Cover Oil Seal.](#) , [303-1531 Installer, Front Crank](#)

Seal and Damper.

4. Using the Strap Wrench, install a new crankshaft damper pulley bolt and the original washer.

Use the General Equipment: Strap Wrench

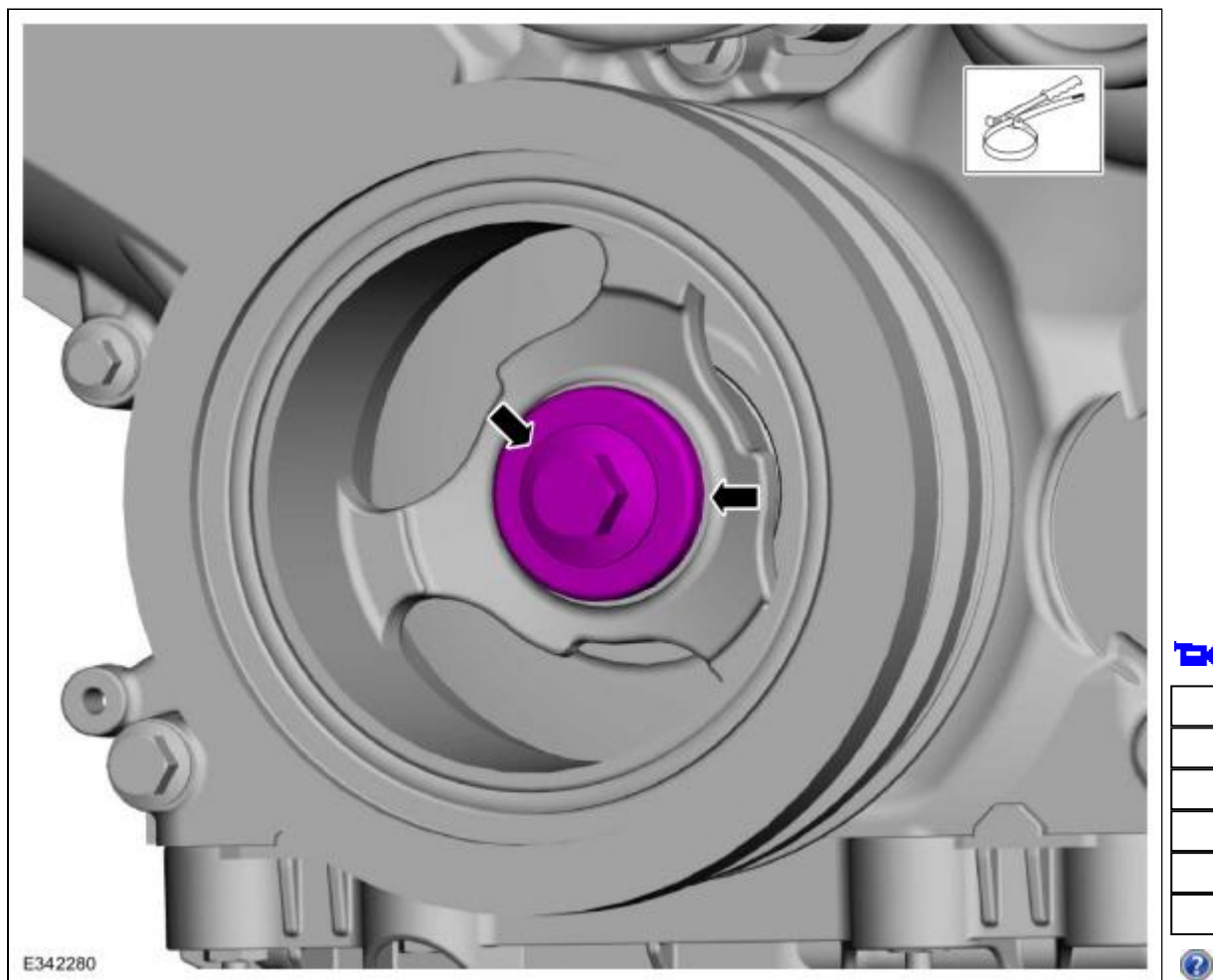
*Torque:*

Stage 1: 103 lb.ft (140 Nm)

Stage 2: Loosen: 360°

Stage 3: 74 lb.ft (100 Nm)

Stage 4: 90°



5. Install the following items:

1. Refer to: [Air Conditioning \(A/C\) Compressor Belt](#) (303-05B Accessory Drive - 5.0L 32V Ti-VCT (359kW/486PS) (WU)/5.0L Ti-VCT V8 (343kW/466PS) (MF), Removal and Installation).
2. Refer to: [Accessory Drive Belt](#) (303-05B Accessory Drive - 5.0L 32V Ti-VCT (359kW/486PS) (WU)/5.0L Ti-VCT V8 (343kW/466PS) (MF), Removal and Installation).
3. Refer to: [Cooling Fan Motor and Shroud](#) (303-03B Engine Cooling - 5.0L 32V Ti-VCT (359kW/486PS) (WU)/5.0L Ti-VCT V8 (343kW/466PS) (MF), Removal and Installation).

6. Use the Powertrain Control Module (PCM) Misfire Monitor Profile Correction routine in the diagnostic scan tool.

© Copyright 2023, Ford Motor Company.