

Transmission Fluid Level Check

Special Tool(s) / General Equipment

Fluid Suction Gun

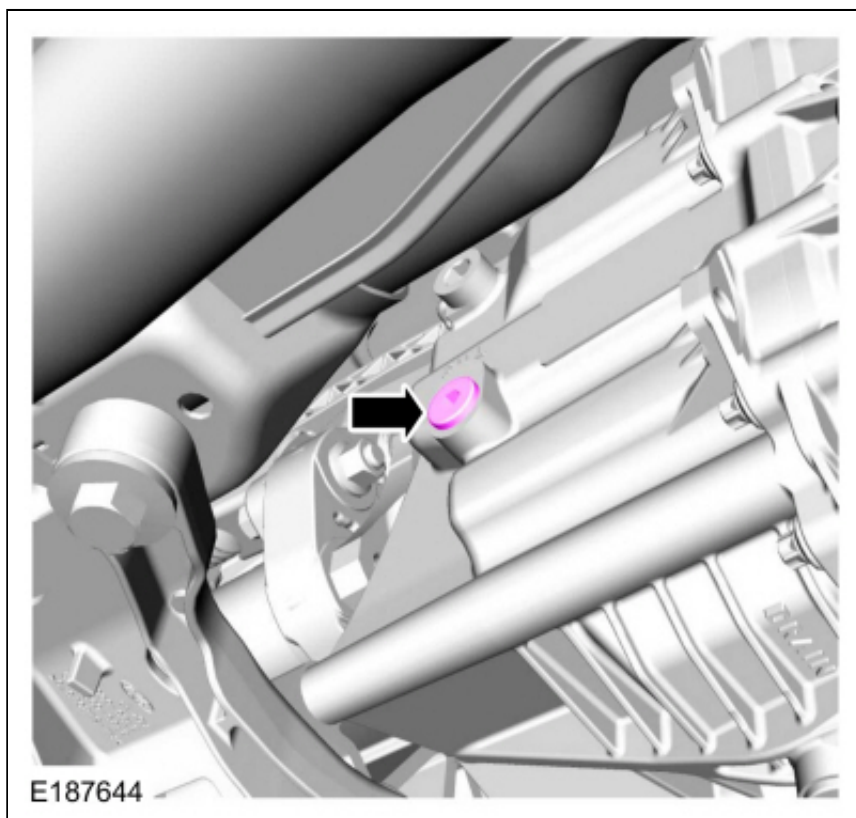
Materials

Name	Specification
Motorcraft® Dual Clutch Transmission Fluid XT-11-QDC	WSS-M2C200-D2

- NOTE:** Make sure that the vehicle is level.

Refer to: [Jacking and Lifting - Overview](#) (100-02 Jacking and Lifting, Description and Operation).

- Remove the fill plug.

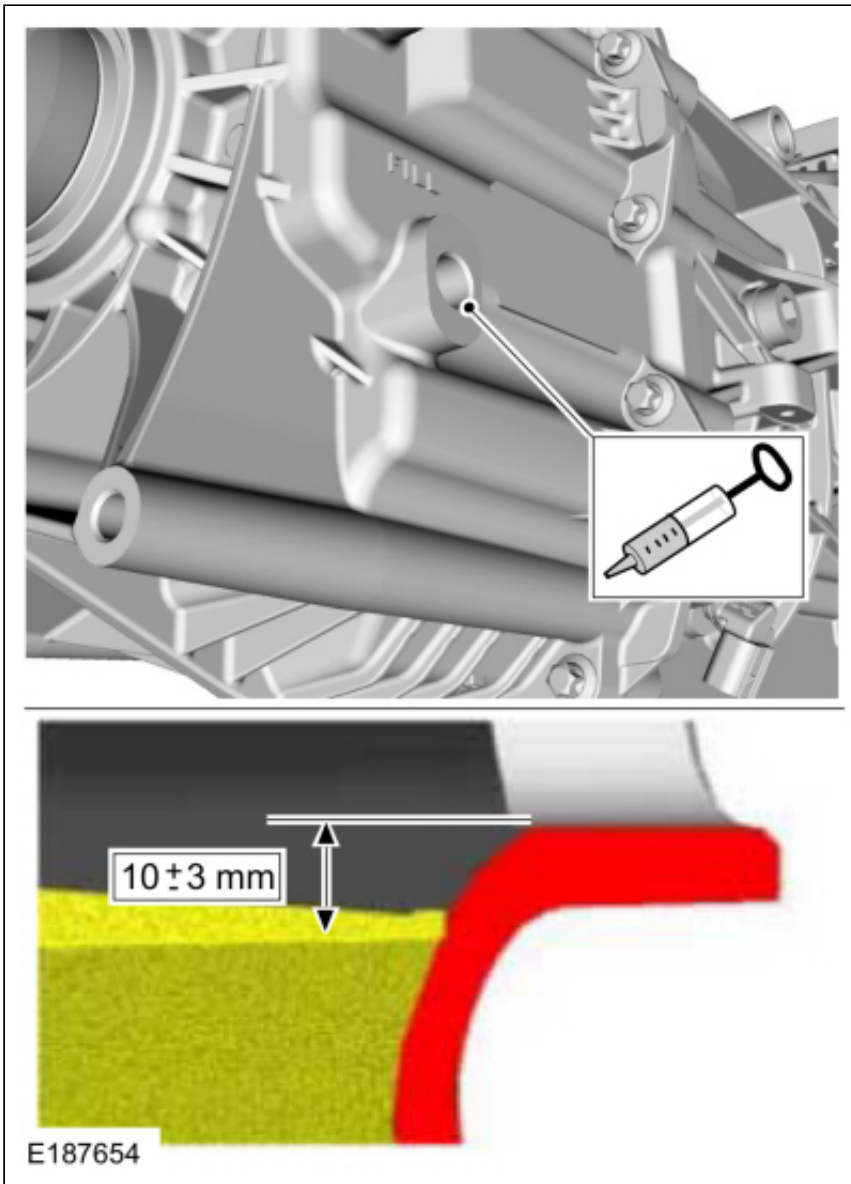


- Add or remove transmission fluid as necessary.

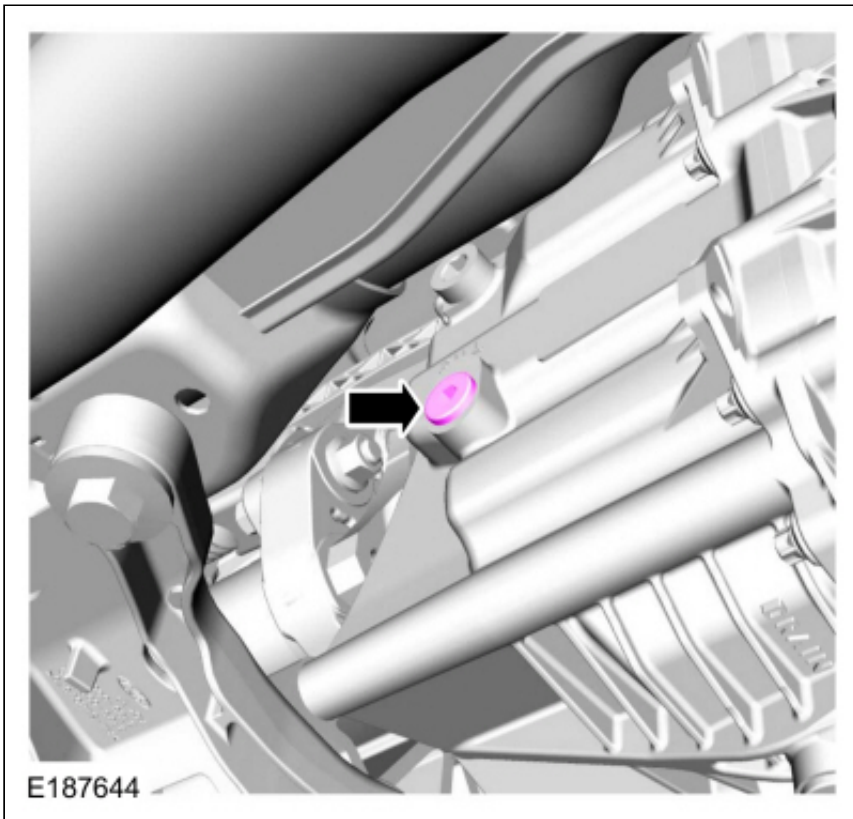
Refer to: [Specifications](#) (308-03A Manual Transmission - 6-Speed Manual Transmission - MT82, Specifications).

Use the General Equipment: Fluid Suction Gun

Material: Motorcraft® Dual Clutch Transmission Fluid / XT-11-QDC (WSS-M2C200-D2)



4. Install the fill plug.
Torque: 26 lb.ft (35 Nm)



Copyright © 2016 Ford Motor Company