



Brake System Pressure Bleeding

Special Tool(s) / General Equipment

Brake/Clutch System Pressure Bleeder/Filler

Fluid Container

Bleeding

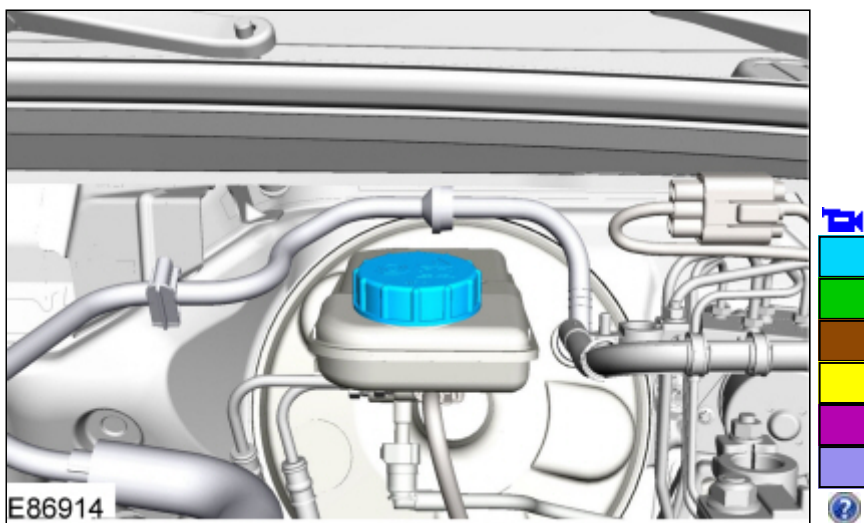
All vehicles

NOTICE: If the fluid is spilled on the paintwork, the affected area must be immediately washed down with cold water.

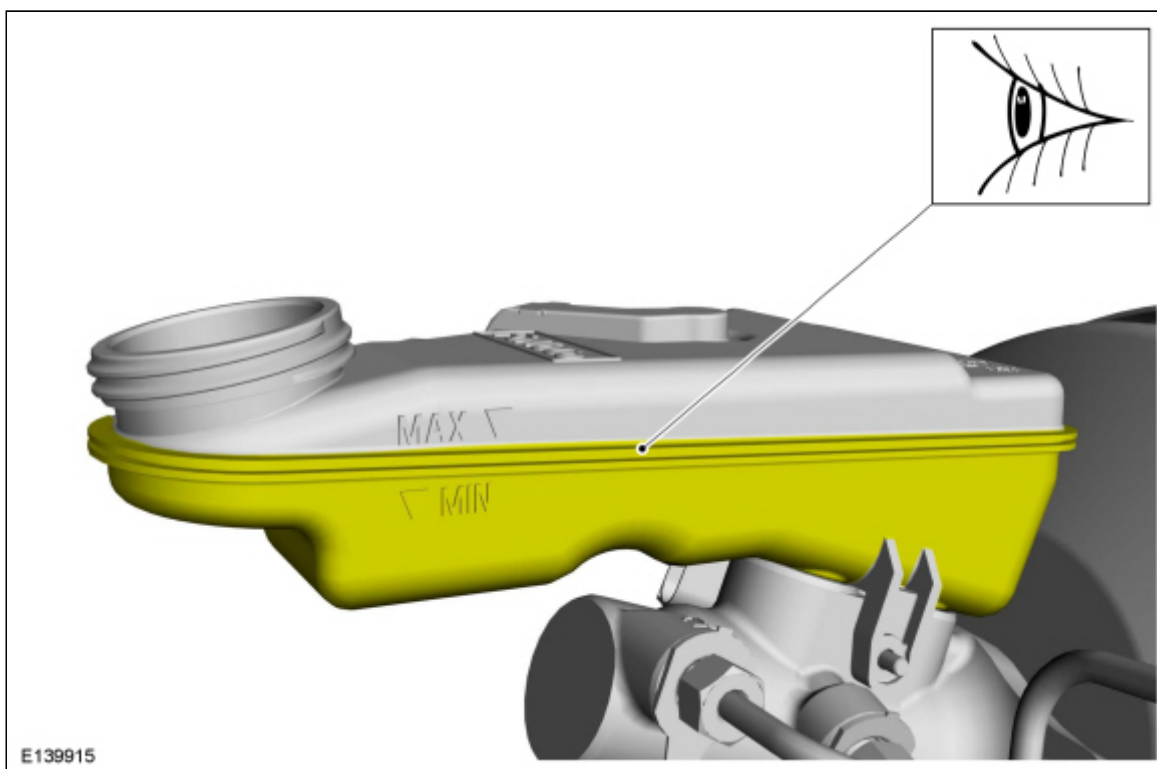
NOTE: The HCU bleeding procedure and a second brake system pressure bleed must be carried out if a new HCU has been installed.

1. **NOTE:** Make sure the area around the master cylinder cap is clean and free of foreign material.

Remove the brake fluid reservoir cap.



2. Make sure the fluid reservoir is filled with clean specified brake fluid.
Refer to: [Specifications](#) (206-00 Brake System - General Information, Specifications).



3.

1. **NOTE:** Master cylinder pressure bleeder adapter tools are available from various manufacturers of pressure bleeding equipment. Follow the instructions of the manufacturer when installing the adapter.

Install the bleeder adapter to the brake master cylinder reservoir and attach the bleeder tank hose to the fitting on the adapter.

Use the General Equipment: Brake/Clutch System Pressure Bleeder/Filler

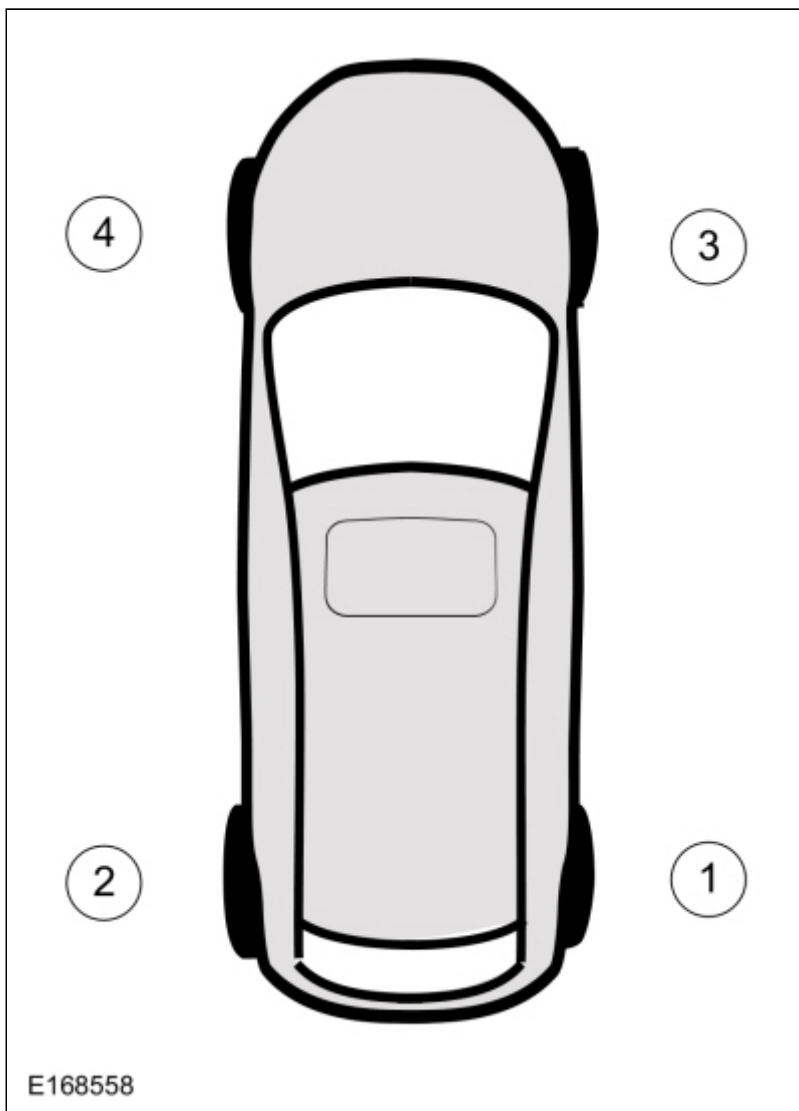
2. **NOTE:** Make sure the bleeder tank contains enough clean, specified brake fluid to complete the bleeding operation.

Open the valve on the bleeder tank and apply 207-345 kPa (30-50 psi) to the brake system.

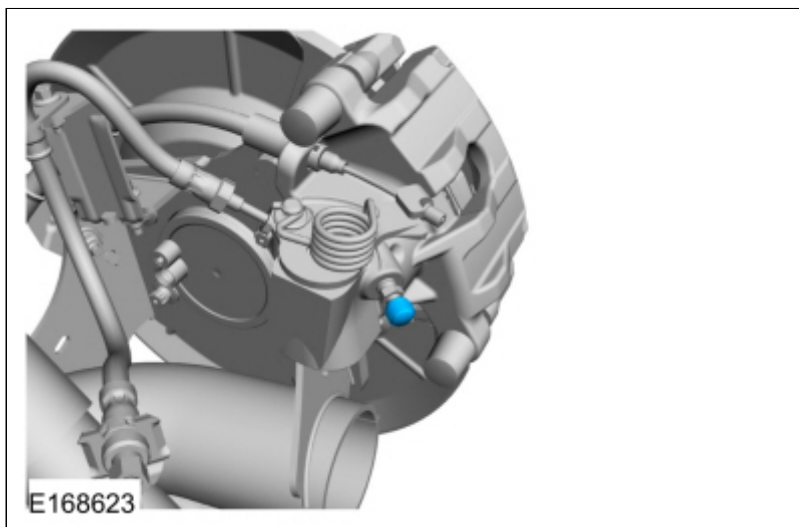
4. Remove the wheels and tires.

Refer to: [Wheel and Tire](#) (204-04A Wheels and Tires, Removal and Installation).

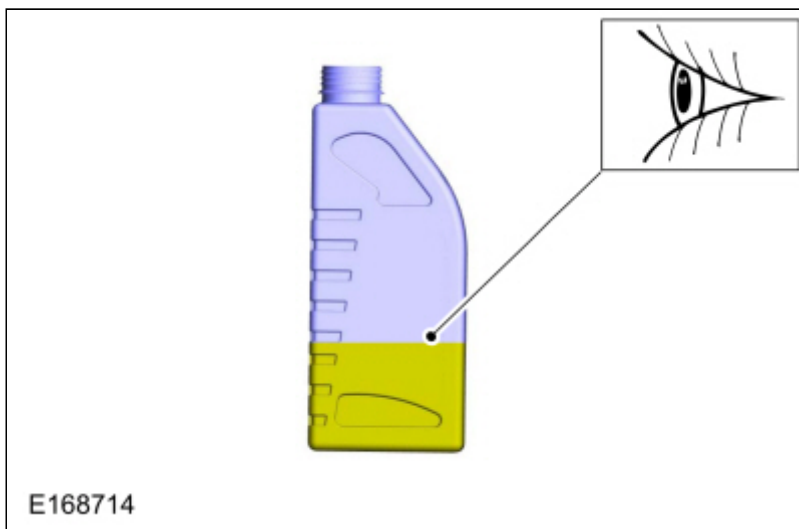
5. Bleeding steps must be followed in the order indicated in the graphic.



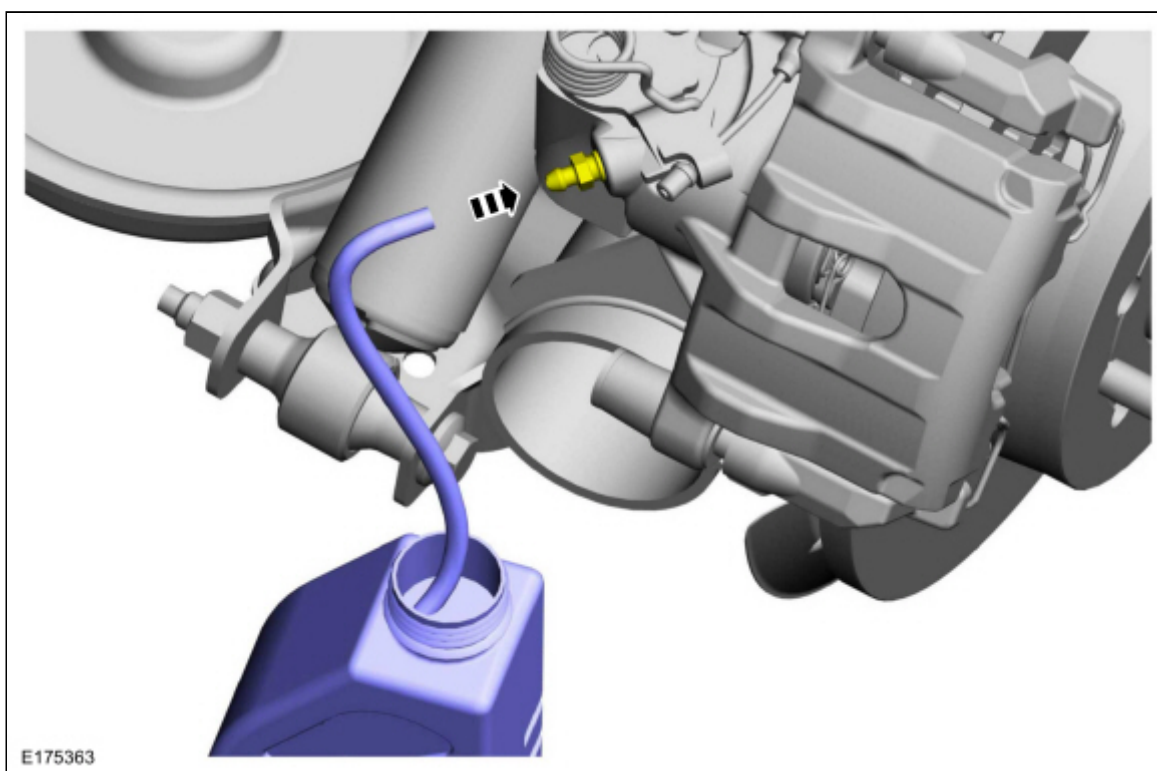
6. If equipped, remove the bleeder screw cap.



7. Partially fill a clean brake fluid container with clean specified brake fluid.
Refer to: [Specifications](#) (206-00 Brake System - General Information, Specifications).
Use the General Equipment: Fluid Container

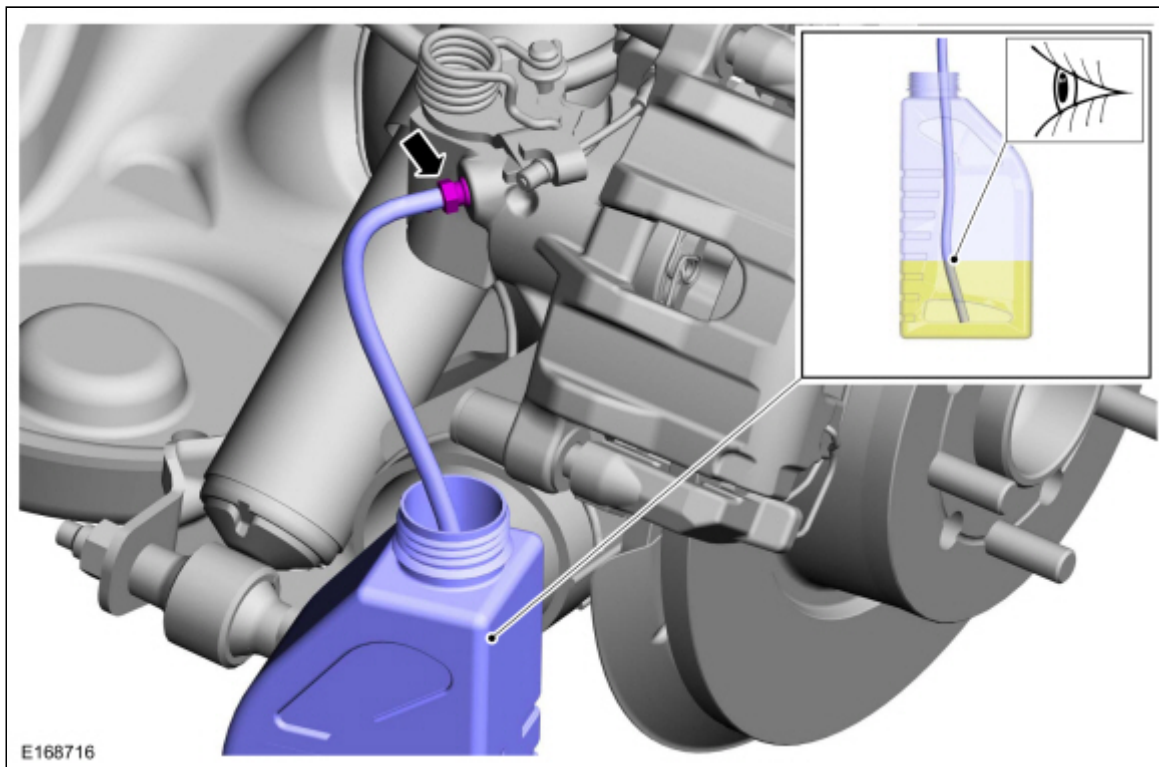


8. Submerge a hose into the brake fluid in the container and connect the hose to bleeder screw.



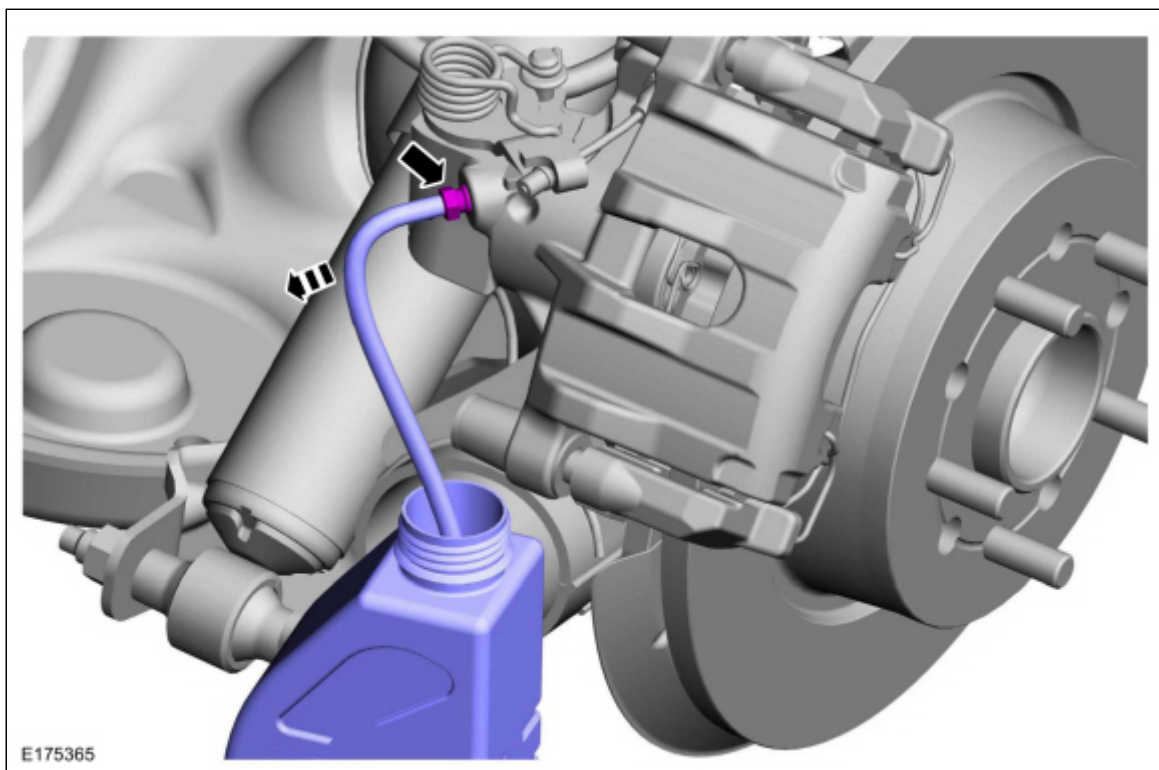
9. **NOTE:** For vehicles equipped with 4 or 6 piston brake calipers, bleed the inner bleeder screw first, followed by the outer bleeder screw.

1. Loosen the bleeder screw.
Loosen:
: 180°
2. Leave open until clear, bubble-free brake fluid flows, then tighten the bleeder screw.



10.

1. Disconnect the hose and tighten the bleeder screw to specification.
Refer to: [Specifications](#) (206-00 Brake System - General Information, Specifications).



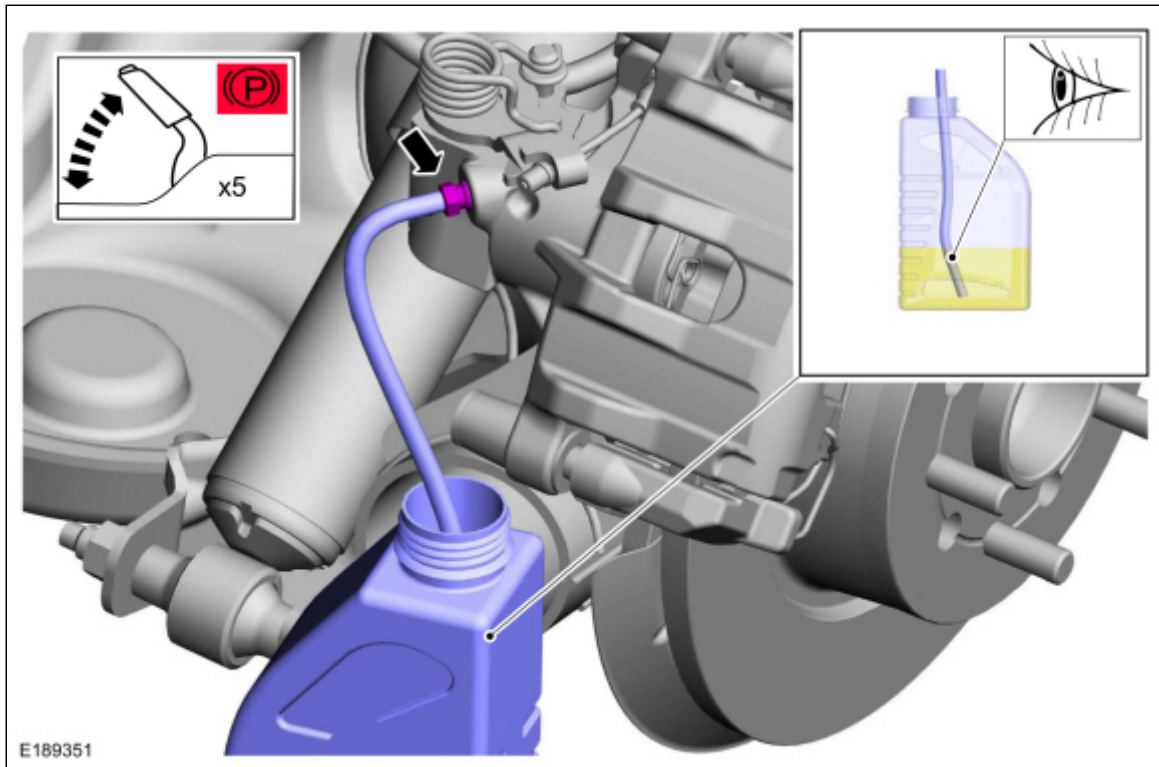
11. Repeat steps 8-10 at the remaining wheel ends.

Vehicles with rear integral parking brake calipers

12. **NOTE:** Due to the complexity of the fluid path within the rear integral parking brake calipers, it is necessary to apply and release the parking brake during the bleed procedure.

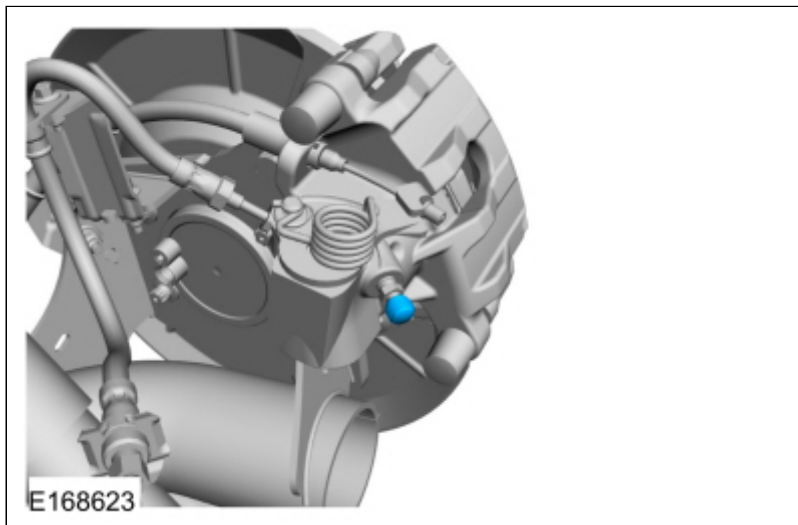
1. Apply and release the parking brake 5 times.

2. Loosen the bleeder screw.
Loosen: 180°
3. Leave open until clear, bubble-free fluid flows and then tighten the bleeder screw to specification.
Refer to: [Specifications](#) (206-00 Brake System - General Information, Specifications).
4. Repeat as necessary.

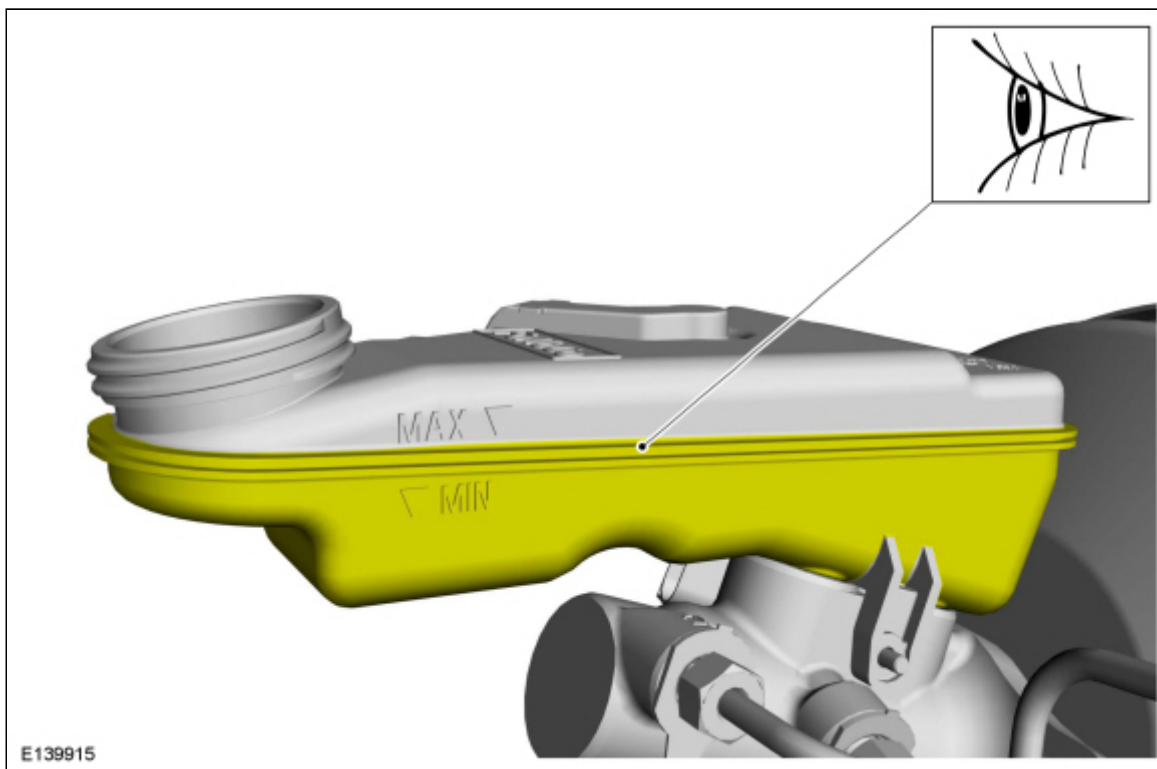


All vehicles

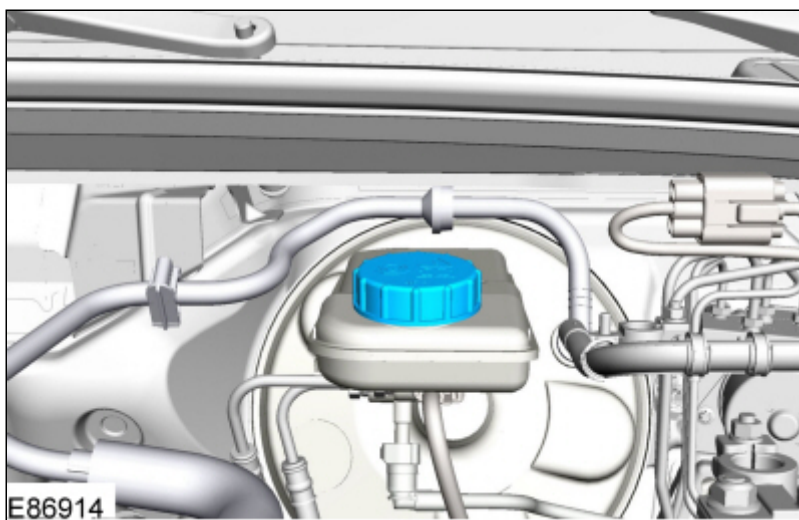
13. If equipped, install the bleeder screw cap.



14. Lower the vehicle.
15. Close the bleeder tank valve and release the pressure.
Remove the General Equipment: Brake/Clutch System Pressure Bleeder/Filler
16. Fill the reservoir with clean, specified brake fluid.
Refer to: [Specifications](#) (206-00 Brake System - General Information, Specifications).



17. Install the brake fluid reservoir cap.



Vehicles with new hydraulic control unit (HCU) installed

NOTE: The HCU bleeding procedure and a second brake system pressure bleed must be carried out if a new HCU has been installed.

18. Using the diagnostic scan tool, follow the ABS Service Bleed instructions.
19. Repeat brake system pressure bleeding steps.

Copyright © 2016 Ford Motor Company

