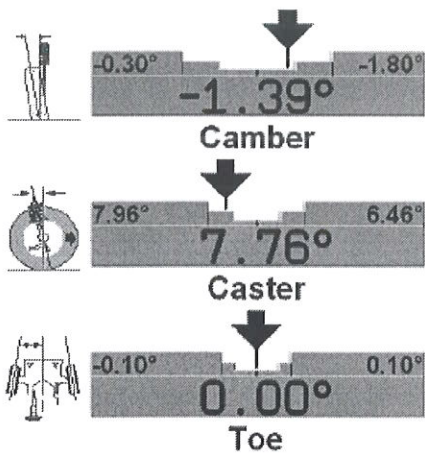
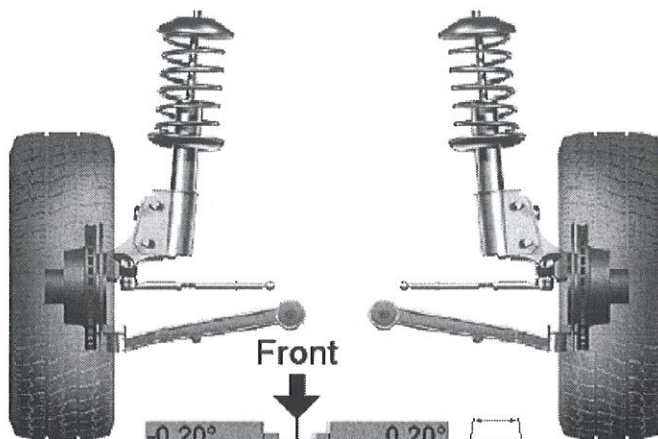
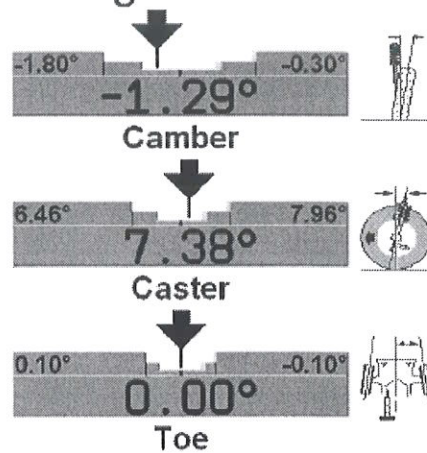


Current Measurements

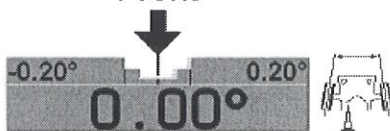
Left Front



Right Front



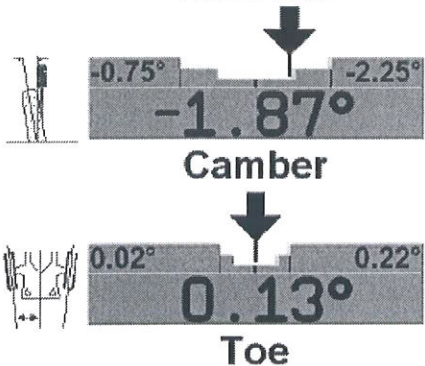
Front



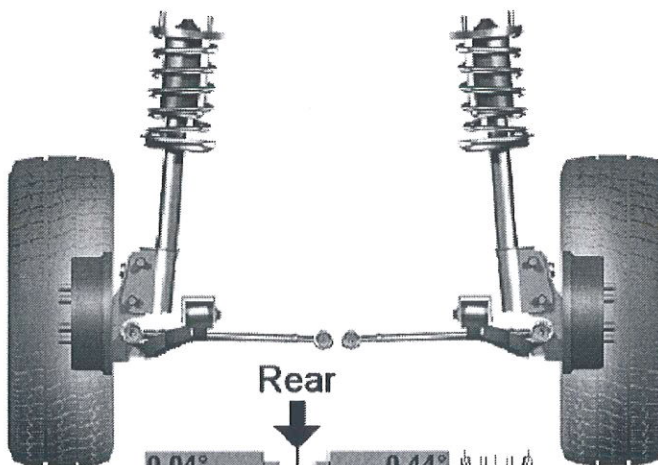
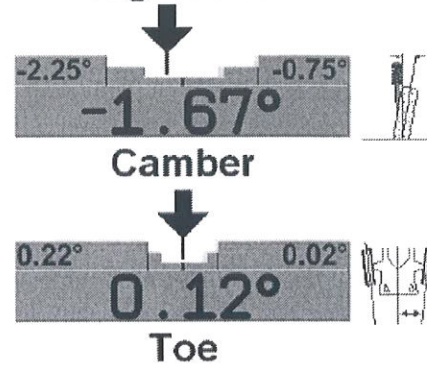
Total Toe



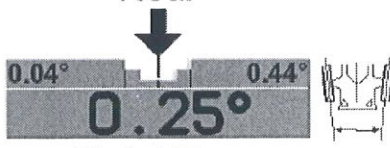
Left Rear



Right Rear



Rear



Total Toe



Thrust Angle